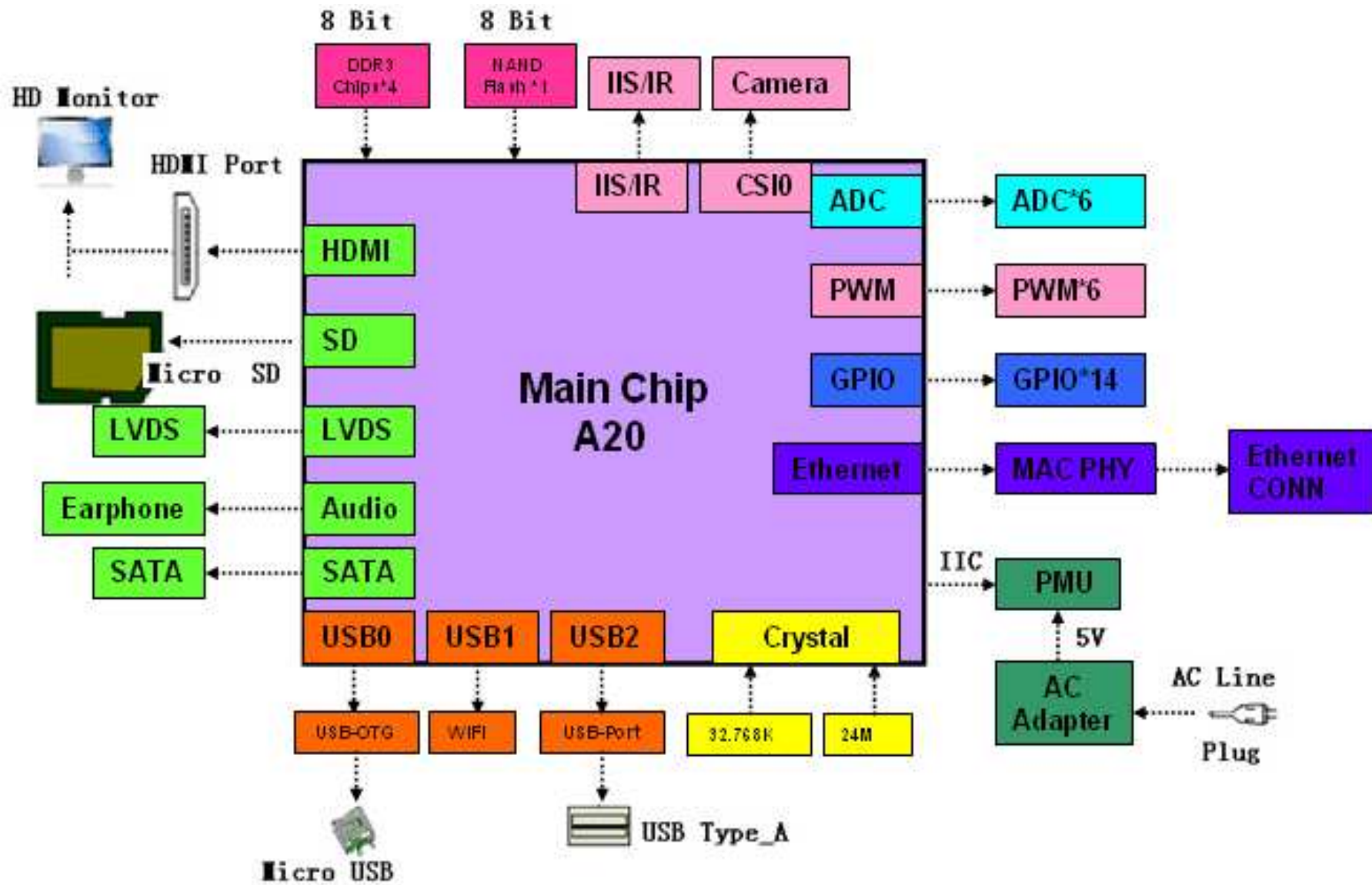


Rev	Date	Description	Drawn
V1.0	2012-11-14	First release	

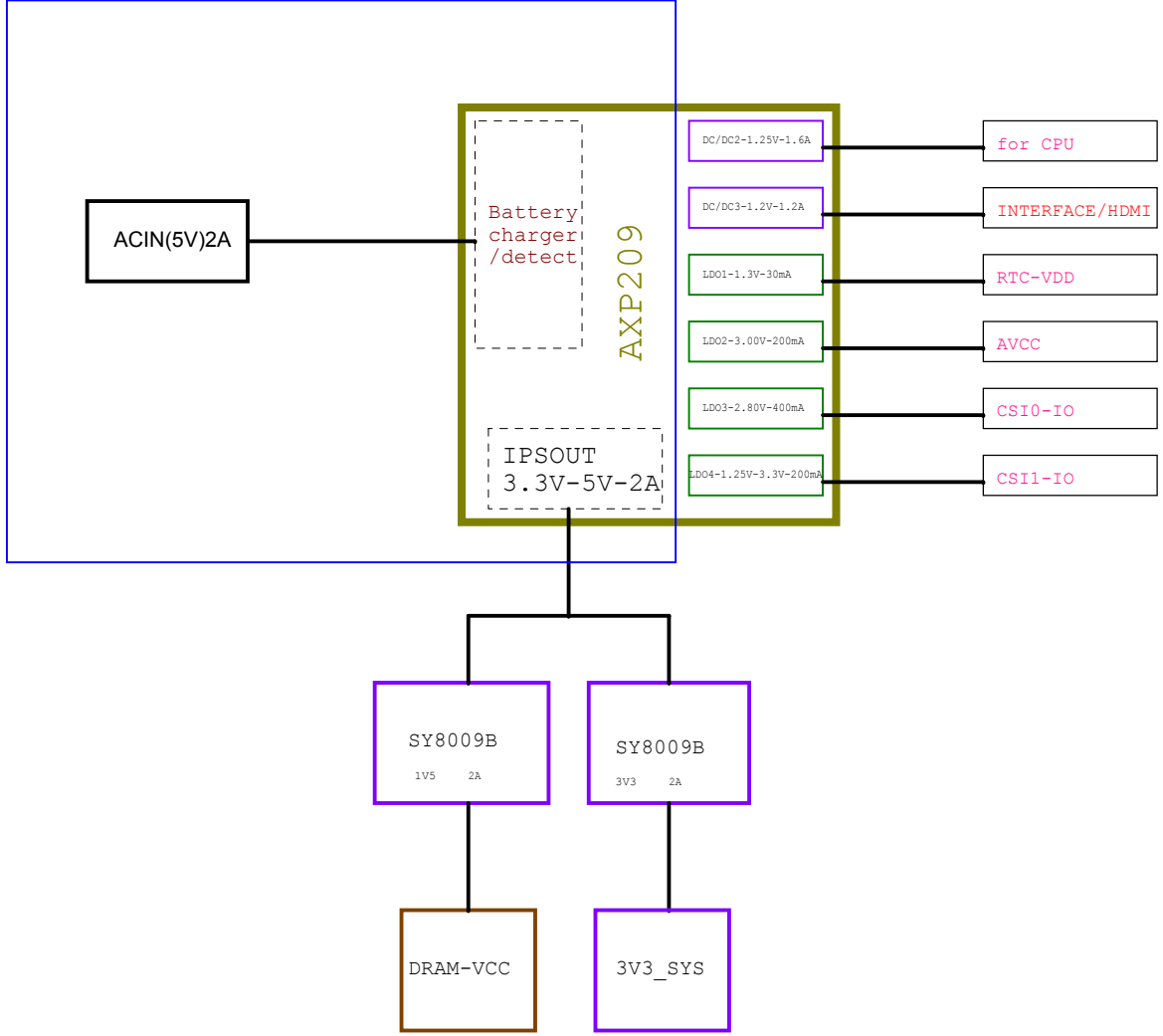
Title pcDuino		
Size A4	Document Number COVER	Rev V3.0
Date: Tuesday, December 24, 2013		Sheet 1 of 16

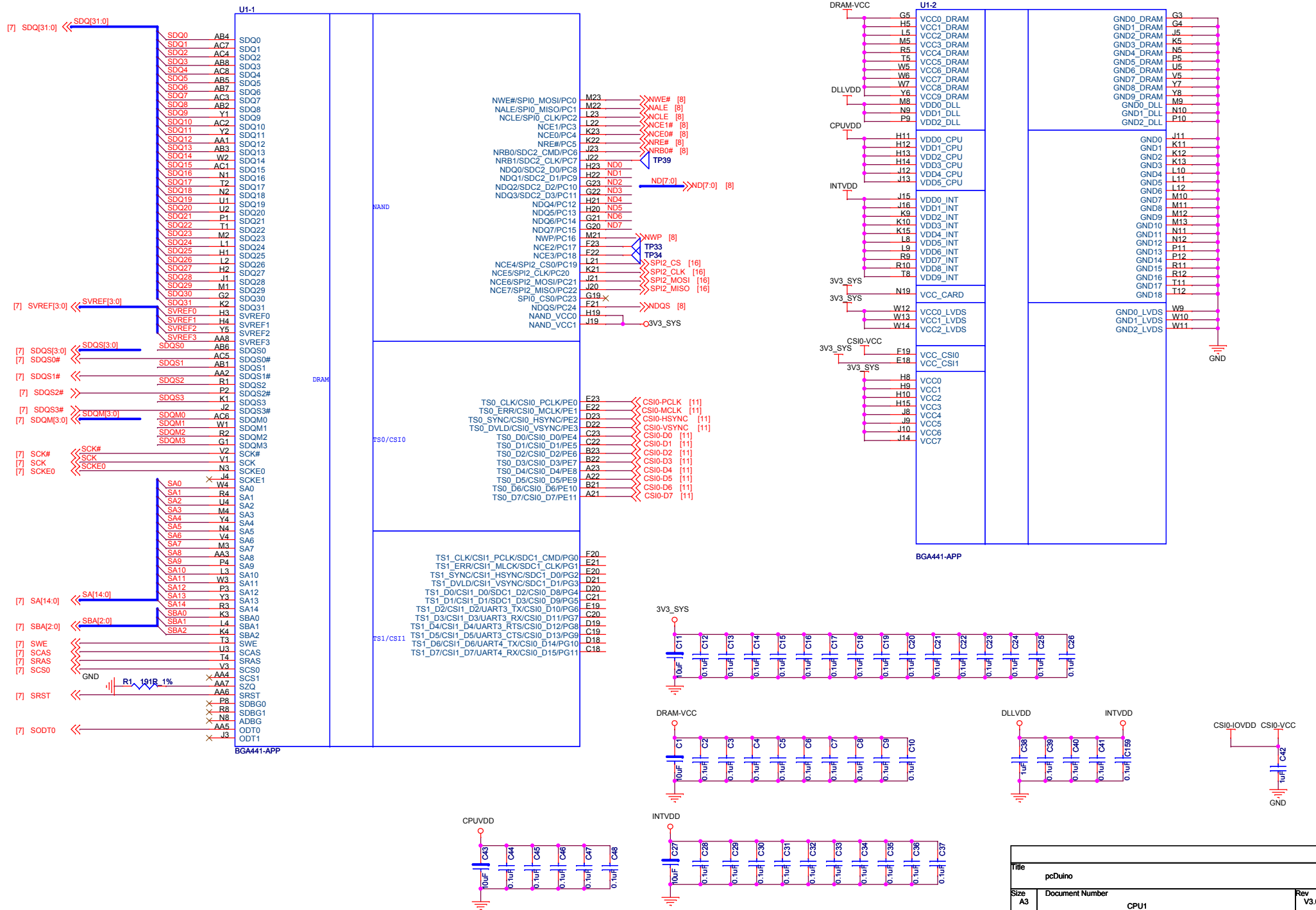


Title		
pcDuino		
Size	Document Number	Rev
A4	BLOCK	V3.0
Date:	Tuesday, December 24, 2013	Sheet 2 of 16

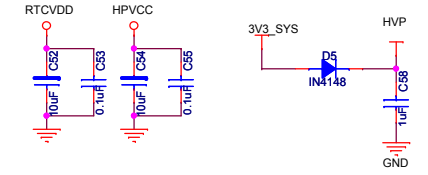
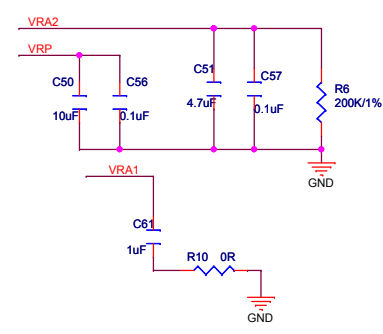
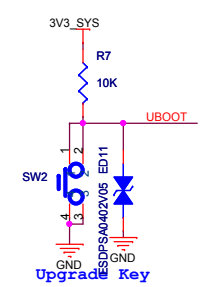
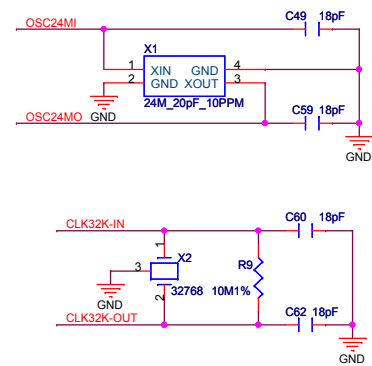
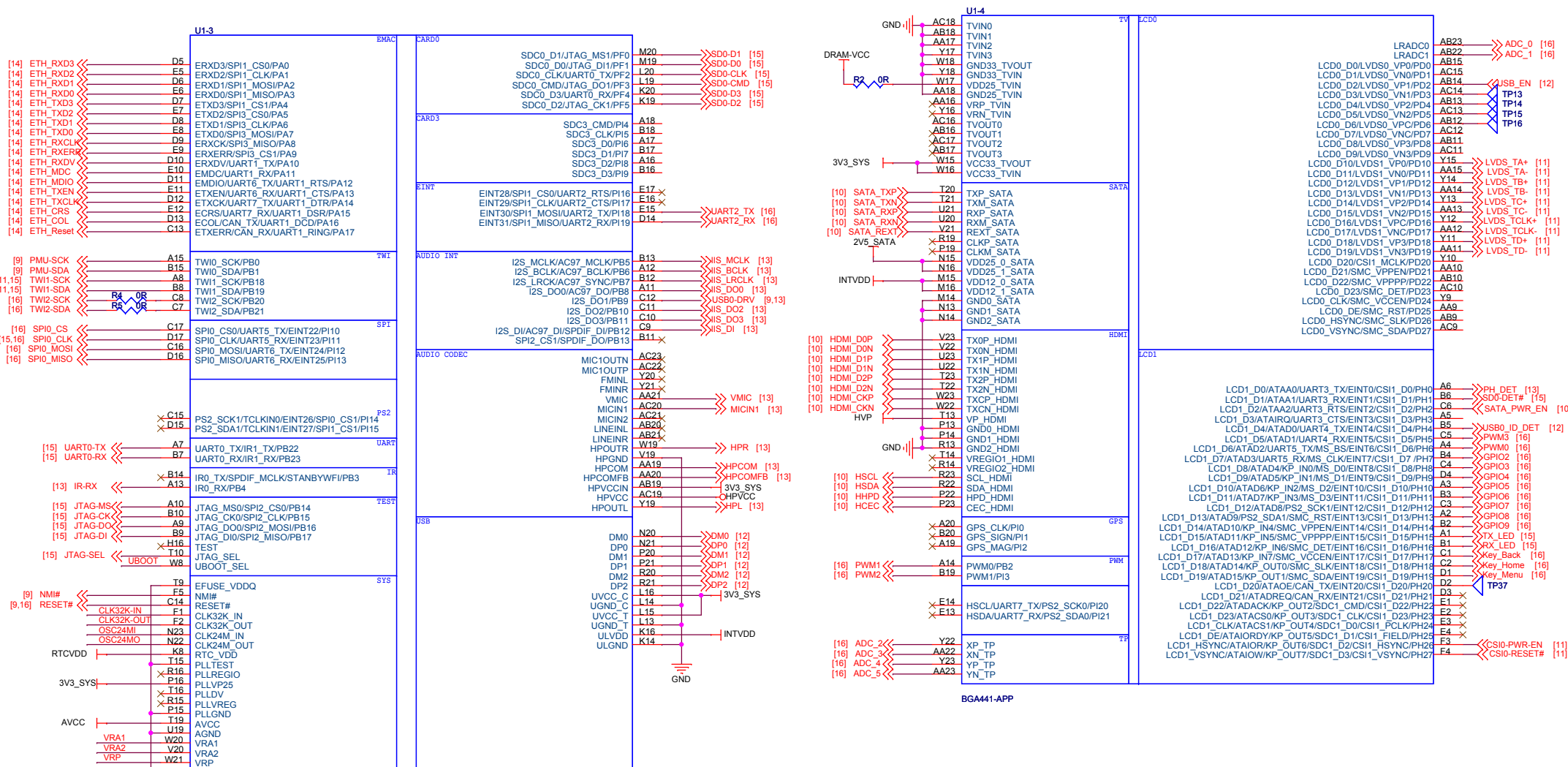
Function	GPIO List	Pin Name	Direction	Net Name	AltV	Default	Description
SF11	EPXD12/SP11_CLK/P41	E5	0	SP11_CLK			
	EPXD12/SP11_MISO/P42	D6	0	SP11_MISO			SP11_LINK
	EPXD0/SP11_MISO/P43	E6	1	SP11_MISO			
SP10	SP100_CS0/UART5_TX/BHT22/P110	C17	0	SP10_CS			SP10_LINK/PWM
	SP100_CLK/UART5_RX/BHT23/P111	D17	0	SP10_CLK			SP10_LINK/PWM
	SP100_MISO/UART6_TX/BHT24/P112	C16	0	SP10_MISO			SP10_LINK/PWM
IIC0	SP100_MISO/UART6_RX/BHT25/P113	D16	1	SP10_MISO			SP10_LINK
	TWI0_SCK/P80	A15	0	FMMSCA			FMMSCA
	TWI0_SDA/P81	B15	1/0	FMMSDA			PMU_IIC_LINK
IIC1	TWI1_SCK/P818	A8	0	TWI1-SCK			IIC_LINK
	TWI1_SDA/P819	B8	1/0	TWI1-SDA			
IIC2	TWI2_SCK/P820	C8	0	TWI2-SCK			COIN_IIC_LINK
	TWI2_SDA/P821	C7	1/0	TWI2-SDA			
IIS	I2S_MCLK/AC97_MCLK/P85	B13	0	I2S_MCLK			
	I2S_BCLK/AC97_BCLK/P86	A12	0	I2S_BCLK			
	I2S_LRCLK/AC97_SYNC/P87	B12	0	I2S_LRCLK			
	I2S_D00/AC97_DO/P88	A11	0	I2S_D00			I2S_LINK
	I2S_D02/P810	C11	0	I2S_D02			
	I2S_D03/P811	C10	0	I2S_D03			
UART0	I2S_DI/AC97_DI/SDIOF_DI/P812	C9	1	I2S_DI			
	UART0_TX/IR1_TX/P822	A7	0	UART0-TX			UART0_LINK For debug
JTAG	UART0_RX/IR1_RX/P823	B7	1	UART0-RX			
	JTAG_HIS0/SP12_CS0/P814	A10	0	JTAG-HIS			
	JTAG_CMO/SP12_CLK/P815	B10	0	JTAG-CM			JTAG_LINK
	JTAG_D00/SP12_MISO/P816	A9	0	JTAG-D0			
	JTAG_D10/SP12_MISO/P817	B9	1	JTAG-D1			
SBO	JTAGSEL	T10	1	JTAG-SEL			
	NMI#	F5	0	NMI#			PMU_INT
	SDC0_D1/JATG_M01/PF0	M20	1/0	SD0-D1			
	SDC0_D0/JATG_D11/PF1	M19	1/0	SD0-D0			
	SDC0_CLK/UART0_TX/PF2	L20	0	SD0-CLK			SD_CARD
	SDC0_CMD/JTAG_D01/PF3	L19	0	SD0-CMD			
	SDC0_D3/UART0_RX/PF4	H20	1/0	SD0-D3			
UART2	SDC0_D2/JATG_CK1/PF5	K19	1/0	SD0-D2			
	EHT30/SP11_MISO/UART2_TX/P118	E15	0	UART2_TX			UART2_LINK/GPIO
USB0	EHT30/SP11_MISO/UART2_RX/P119	D14	1	UART2_RX			
	I2S_D01/P89	C12	1	I2S-D01	H	H	PMU_CHANNEL_SEL/HIS
USB1	DM0	H20	1/0	DM0			OTG_USB
	DP0	H21	1/0	DP0			
USB2	DM1	P20	1/0	DM1			USB_WIFI
	DP1	P21	1/0	DP1			
HDMI	DM2	R20	1/0	DM2			USB_Type_A
	DP2	R21	1/0	DP2			
PWM	SCL_HDMI	R23	0	HSCL			HDMI_DDC
	SDA_HDMI	R22	1/0	HSDA			
	HPD_HDMI	F22	1	HPFD	H	L	HDMI_HPD
ADC	CEC_HDMI	F23	1	HCEC	H	L	HDMI_CEC
	PWM0/P82	A14	0	PWM11			PWM
IR	PWM1/P13	B19	0	PWM2			PWM
	XP_TP	V22	1	ADC_2			
	XN_TP	AA22	1	ADC_3			
	YP_TP	V23	1	ADC_4			6_CHANNEL_ADC
	YN_TP	AA23	1	ADC_5			
	LPAD0	B23	1	ADC_0			
Earphone	LPAD1	B22	1	ADC_1			
	LC01_D1/AT40/UART3_TX/BHT1/CS11_D1/PH1	B6	1	SD0-DET#	L	H	SD_CARD_DET
	LC04_D1/AT40/UART4_TX/BHT4/CS11_D4/PH4	B5	1	USB0_ID_DET	L	H	OTG_USB_DET
	LC05_D1/AT40/UART4_RX/BHT5/CS11_D5/PH5	C5	1/0	PWM3			PWM
	LC06_D1/AT40/UART5_TX/BHT6/CS11_D6/PH6	A4	1/0	PWM0			PWM
	VMIC	AA21	1	VMIC			
IR	MIC0H1	AC20	1	MIC0H1			HP_LINK
	HP00TR	W15	0	HPR			
	HP00H	A419	1	HP00H			
	HP00HFB	AA20	1	HP00HFB			
Camera	HP00TL	Y19	0	HPL			
	IR0_RX/P84	A13	1	IR-RX		H	IR
	TS0_CLK/CS10_PCLK/P80	E23	1	CS10-PCLK			
	TS0_ERR/CS10_MCLK/P81	E22	1	CS10-MCLK			
	TS0_SYNC/CS10_HSYNC/P82	D23	1	CS10-HSYNC			
	TS0_D1/CS10_VSYNC/P83	D22	1	CS10-VSYNC			
	TS0_D0/CS10_DP/P84	C23	1	CS10-D0			CSI_LINK
	TS0_D1/CS10_D1/P85	C22	1	CS10-D1			
	TS0_D2/CS10_D2/P86	B23	1	CS10-D2			
	TS0_D3/CS10_D3/P87	B22	1	CS10-D3			
SATA	TS0_D4/CS10_D4/P88	A23	1	CS10-D4			
	TS0_D5/CS10_D5/P89	A22	1	CS10-D5			
	TS0_D6/CS10_D6/P810	B21	1	CS10-D6			
	TS0_D7/CS10_D7/P811	A21	1	CS10-D7			
LVDS	TYP_SATA	T20	0	SATA_TYP			SATA_LINK
	TXM_SATA	T21	0	SATA_TXM			
	RXP_SATA	U21	0	SATA_RXP			
GPIO	RXM_SATA	U20	0	SATA_RXM			
	LC00_D10/LVDS1_VP0/PD10	Y15	0	LVDS_TA+			
	LC00_D11/LVDS1_VN0/PD11	AA15	0	LVDS_TA-			
	LC00_D12/LVDS1_VP1/PD12	Y14	0	LVDS_TB+			
	LC00_D13/LVDS1_VN1/PD13	AA14	0	LVDS_TB-			
	LC00_D14/LVDS1_VP2/PD14	Y13	0	LVDS_TC+			
	LC00_D15/LVDS1_VN2/PD15	AA13	0	LVDS_TC-			
	LC00_D16/LVDS1_VP3/PD16	Y12	0	LVDS_TCLK+			
	LC00_D17/LVDS1_VN3/PD17	AA12	0	LVDS_TCLK-			
	LC00_D18/LVDS1_VP3/PD18	Y11	0	LVDS_TD+			
GPIO	LC00_D19/LVDS1_VN3/PD19	AA11	0	LVDS_TD-			
	LC01_D0/AT40/UART3_TX/BHT0/CS11_D0/PH0	A6	1	PH_DET	H	L	PH_DET
	LC01_D2/AT40/UART3_RX/BHT2/CS11_D2/PH2	C6	1	SATA_PWR_EN	H	L	SATA_PWR_EN
	LC01_D7/AT40/UART5_TX/BHT7/CS11_D7/PH7	B4	1/0	GPIO2			GPIO
	LC01_D8/AT40/UART5_RX/BHT8/CS11_D8/PH8	C4	1/0	GPIO3			GPIO
	LC01_D9/AT40/UART6_TX/BHT9/CS11_D9/PH9	D4	1/0	GPIO4			GPIO
	LC01_D10/AT40/UART6_RX/BHT10/CS11_D10/PH10	A3	1/0	GPIO5			GPIO
	LC01_D11/AT40/UART7_TX/BHT11/CS11_D11/PH11	B3	1/0	GPIO6			GPIO
	LC01_D12/AT40/UART7_RX/BHT12/CS11_D12/PH12	C3	1/0	GPIO7			GPIO
	LC01_D13/AT40/UART8_TX/BHT13/CS11_D13/PH13	A2	1/0	GPIO8			GPIO
	LC01_D14/AT40/UART8_RX/BHT14/CS11_D14/PH14	B2	1/0	GPIO9			GPIO
	LC01_D15/AT40/UART9_TX/BHT15/CS11_D15/PH15	A1	0	TX_LED	L	H	TX_LED
	LC01_D16/AT40/UART9_RX/BHT16/CS11_D16/PH16	B1	0	RX_LED	L	H	RX_LED
	LC01_D17/AT40/UART10_TX/BHT17/CS11_D17/PH17	C1	1	Key_Back	L	H	Key_Back
	LC01_D18/AT40/UART10_RX/BHT18/CS11_D18/PH18	C2	1	Key_Home	L	H	Key_Home
	LC01_D19/AT40/UART11_TX/BHT19/CS11_D19/PH19	D1	1	Key_Menu	L	H	Key_Menu
LC01_HSVMC/ATA0/SDC1_D2/CS11_HSVMC/PH26	F3	0	CS10-PWR-EN	H	H	CS10-PWR-EN	
LC01_VSVMC/ATA0/SDC1_D3/CS11_VSVMC/PH27	F4	0	CS10-RESET#	L	H	CS10-RESET#	

File	pdUino		
Size	Document Number	ID_List	Rev
Custom			V3.0
Date	Tuesday, December 26, 2018	Sheet	3 of 16

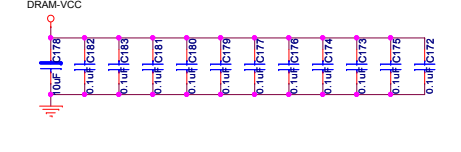
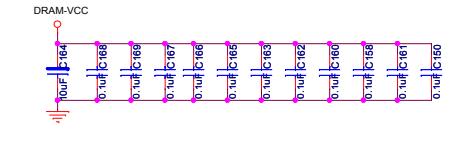
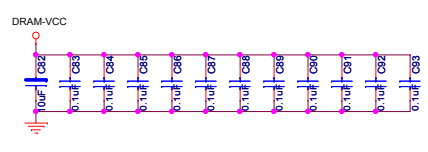
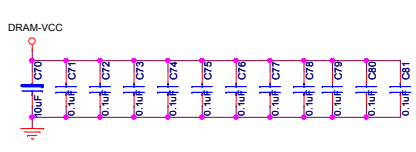
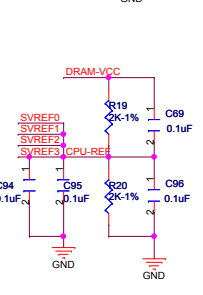
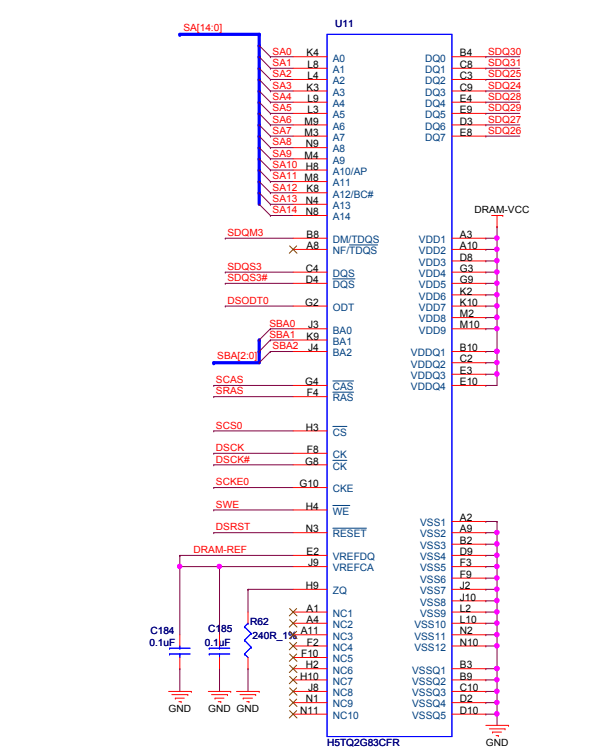
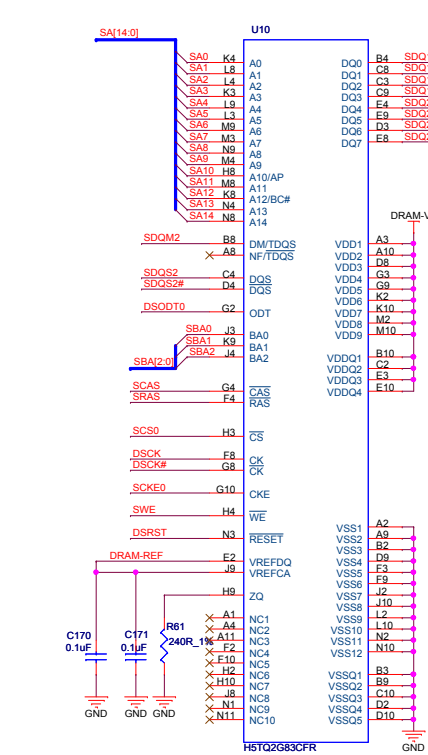
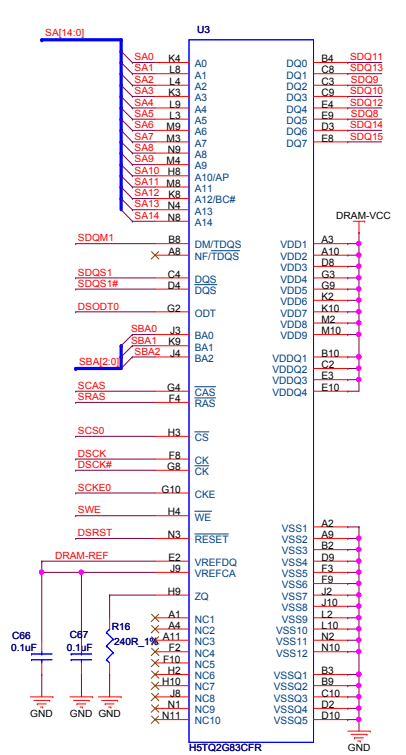
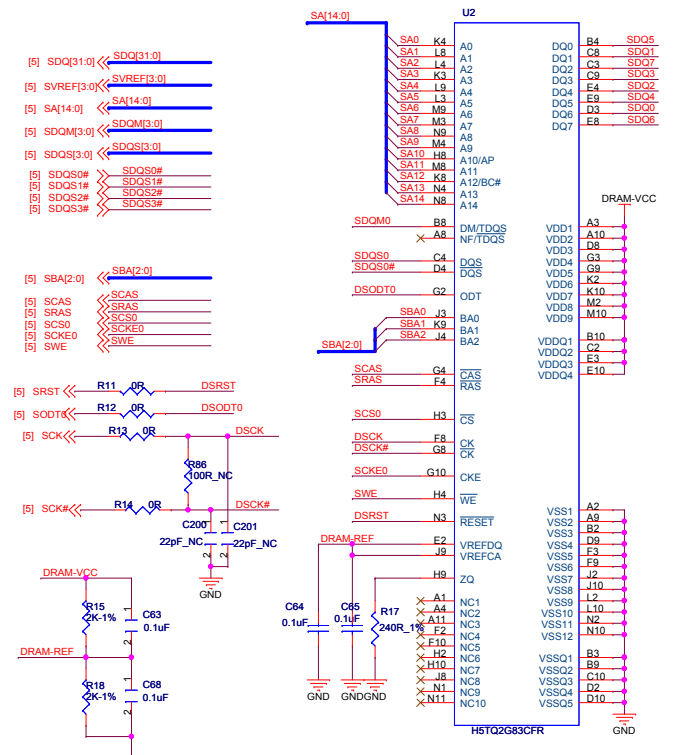




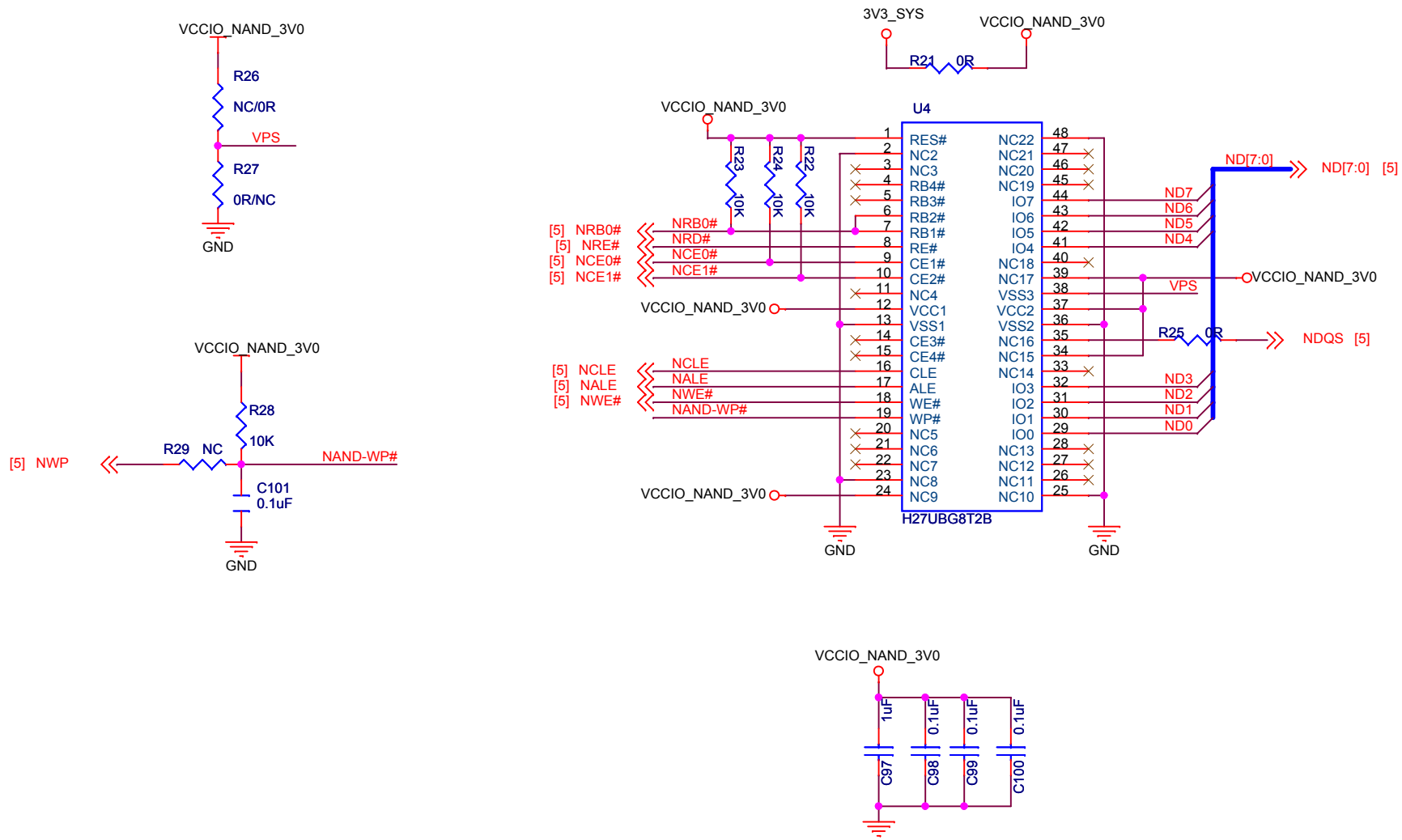
Title		pcDuino
Size	Document Number	CPU1
A3		Rev V3.0
Date:	Tuesday, December 24, 2013	Sheet 5 of 16



Title		
pcDuino		
Size	Document Number	Rev
A3	CPU2	v3.0
Date:	Tuesday, December 24, 2013	Sheet 6 of 16

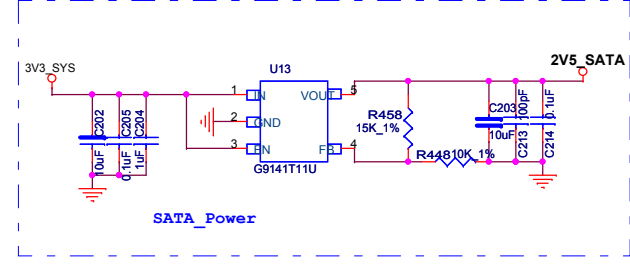
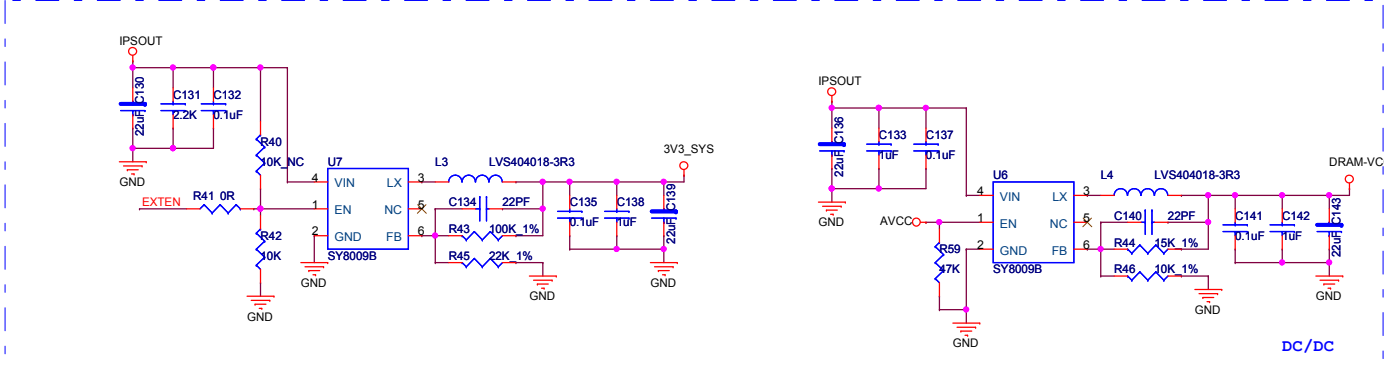
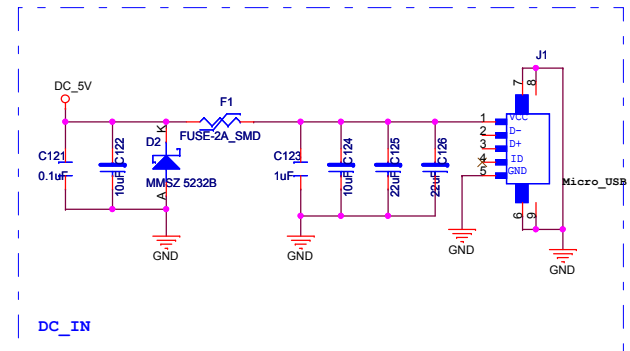
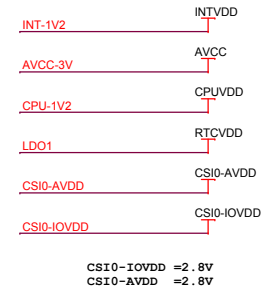
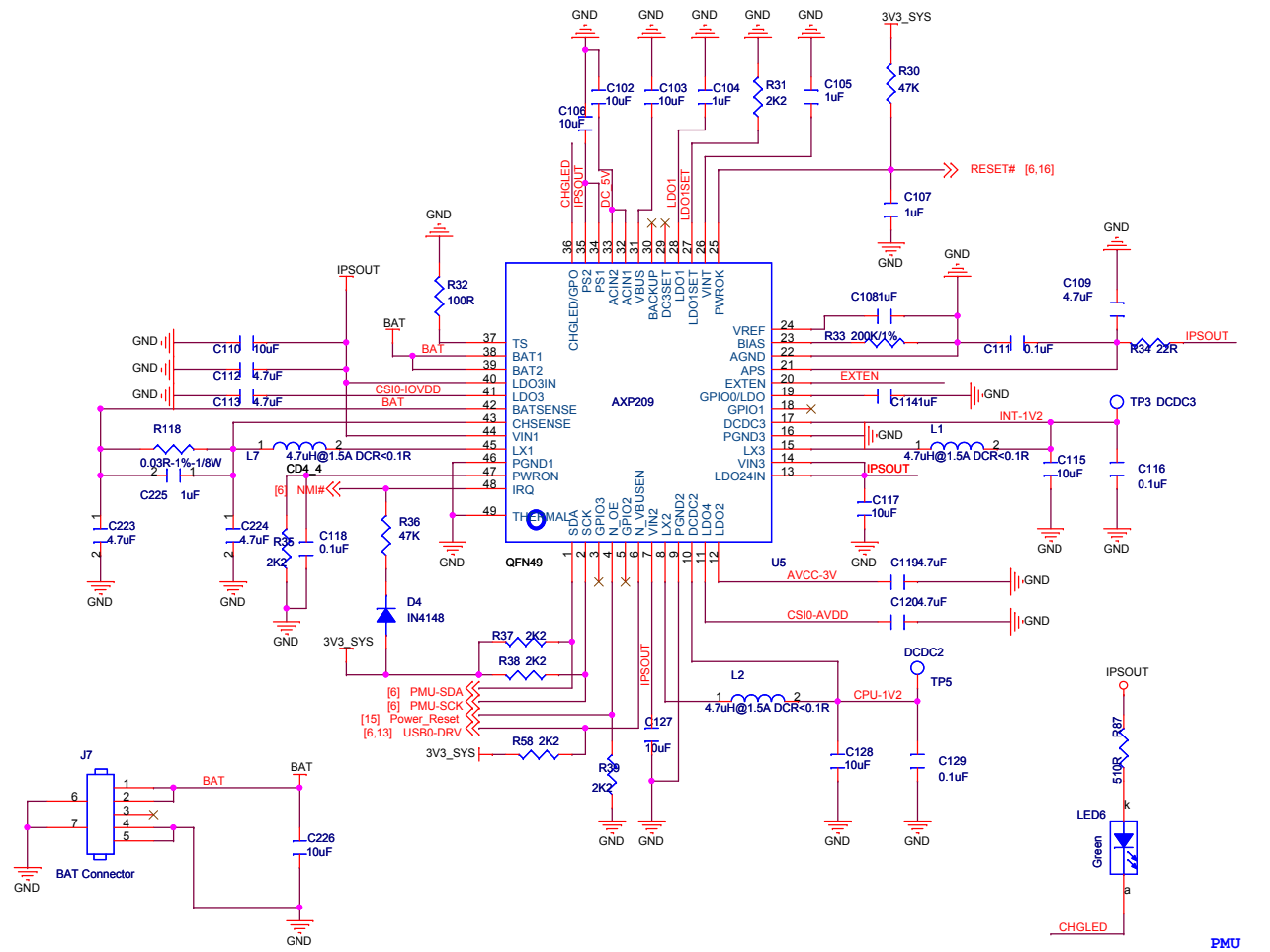


Title		
pcDuino		
Size	Document Number	Rev
CuSpM	DDR3	v3.0
Date:	Tuesday, December 24, 2013	Sheet 7 of 16

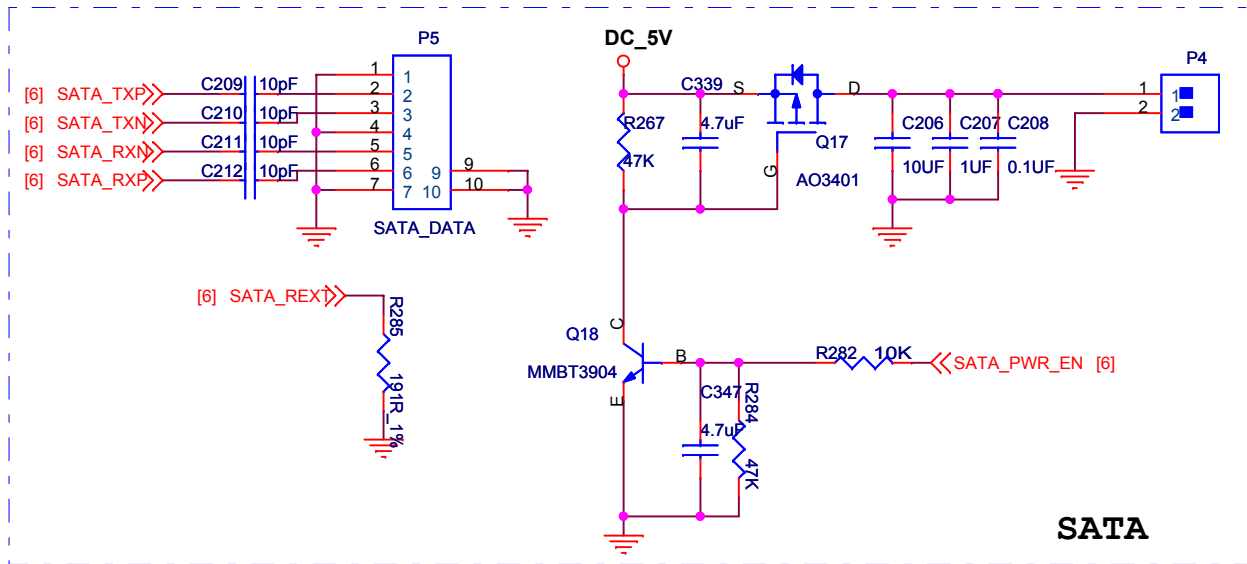
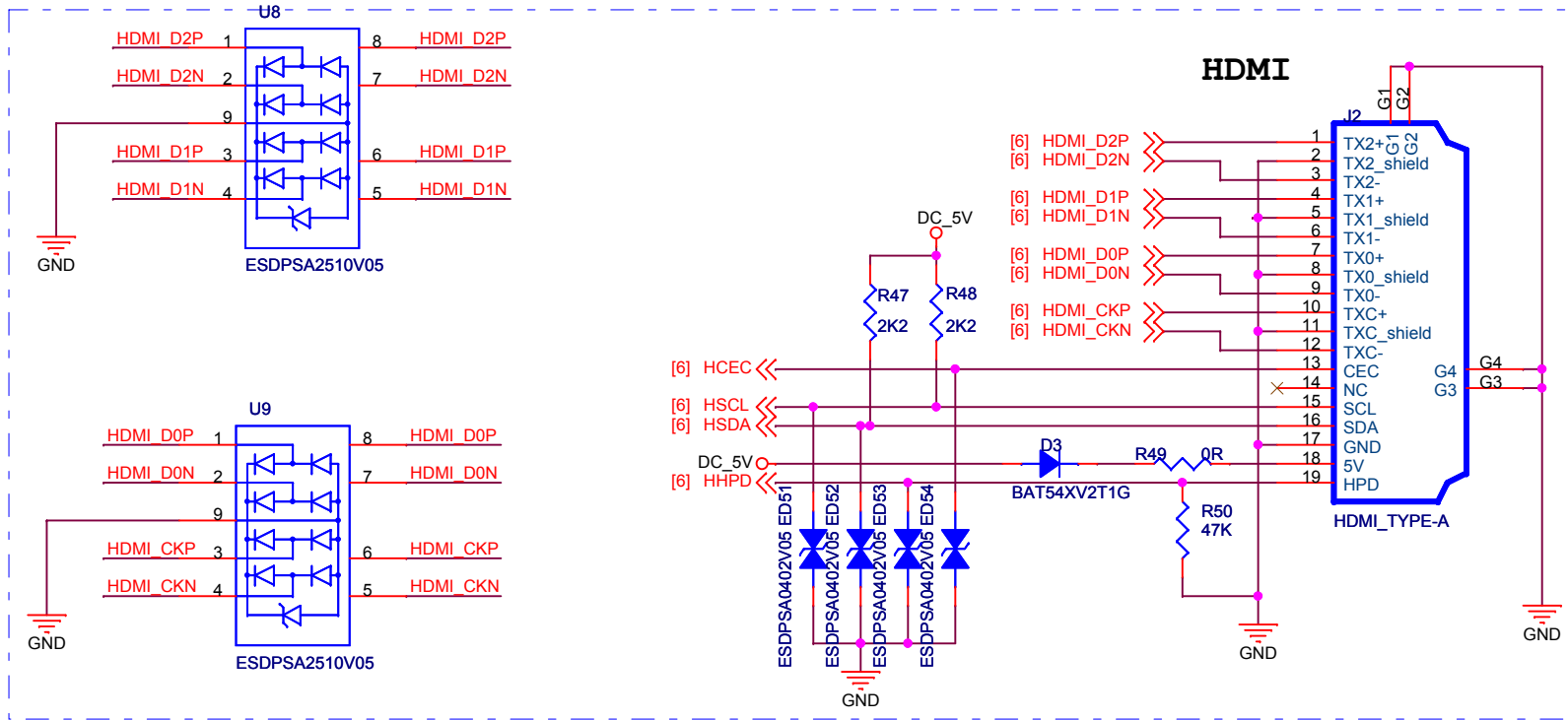


Title		
pcDuino		
Size	Document Number	Rev
A4	NAND	V3.0
Date:	Tuesday, December 24, 2013	Sheet 8 of 16

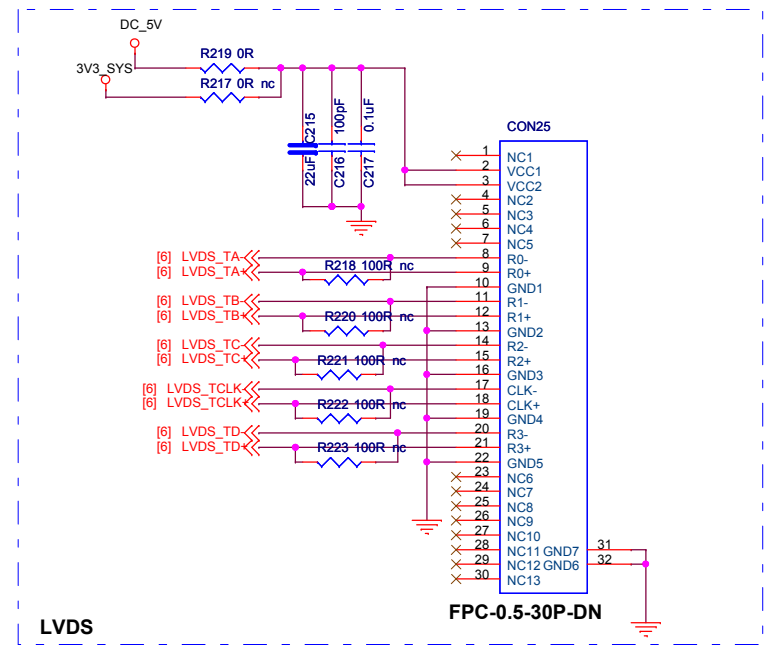
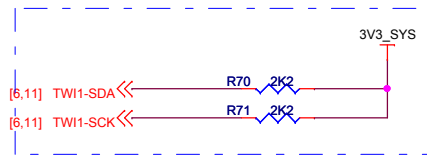
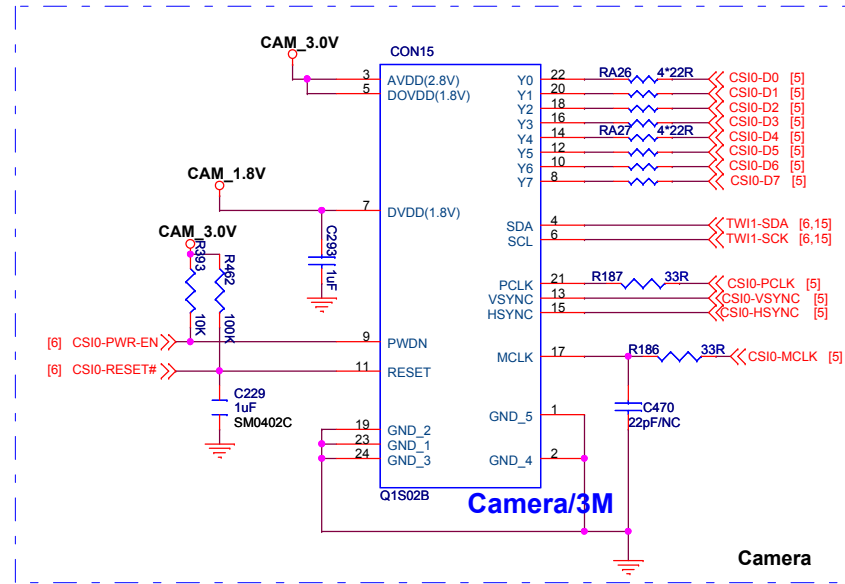
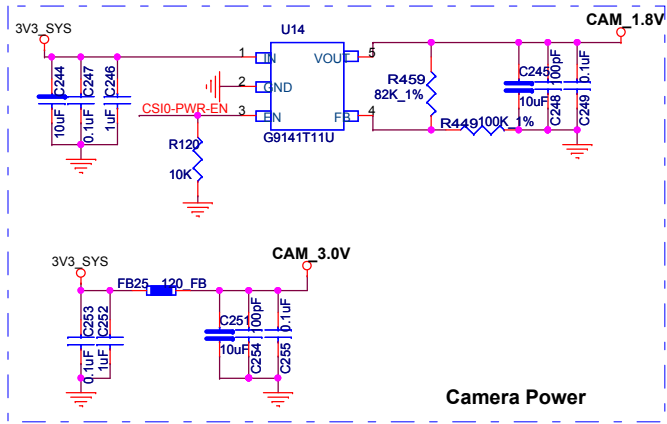




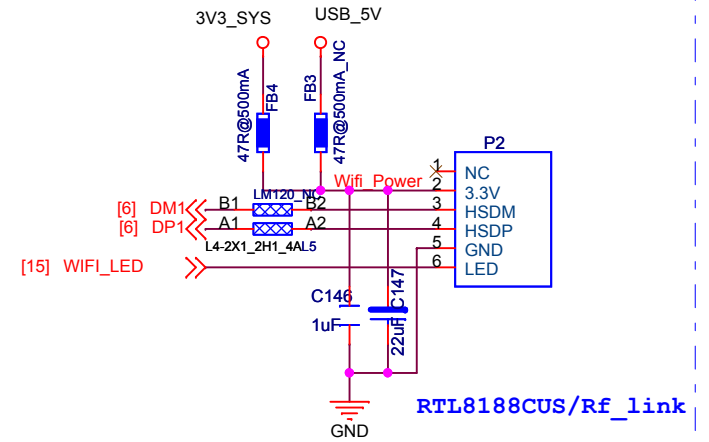
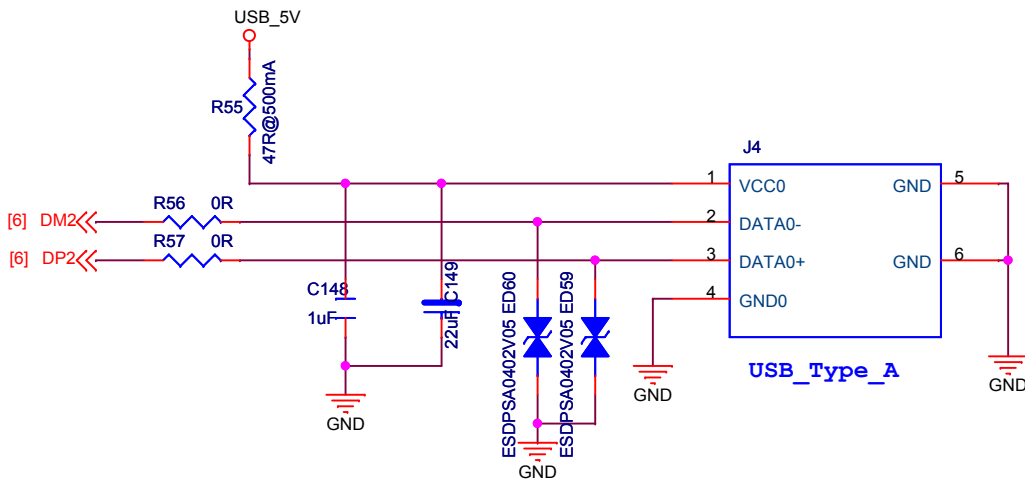
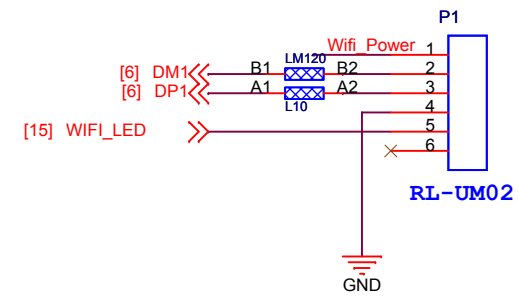
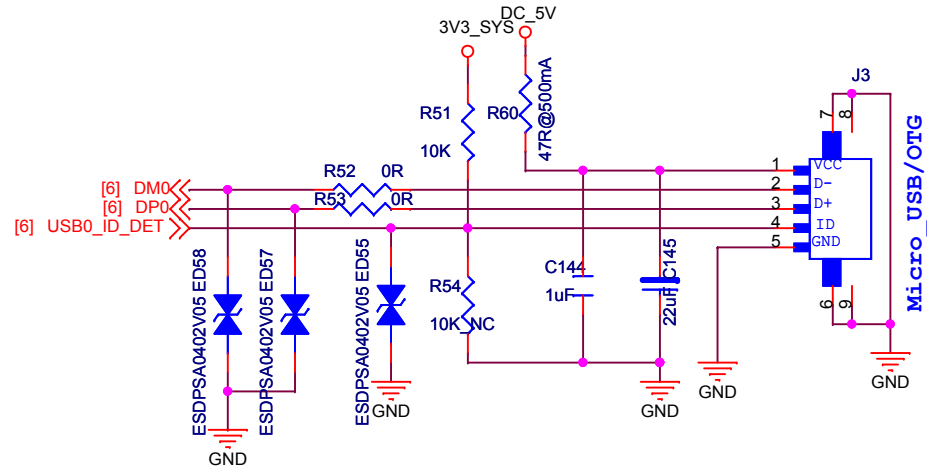
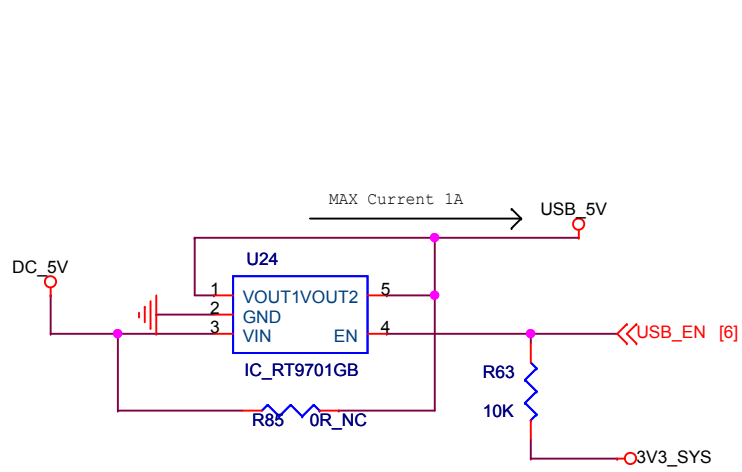
Title		pcDuino	
Size	Document Number	Power	
A3			Rev V3.0
Date:	Tuesday, December 24, 2013	Sheet	9 of 16



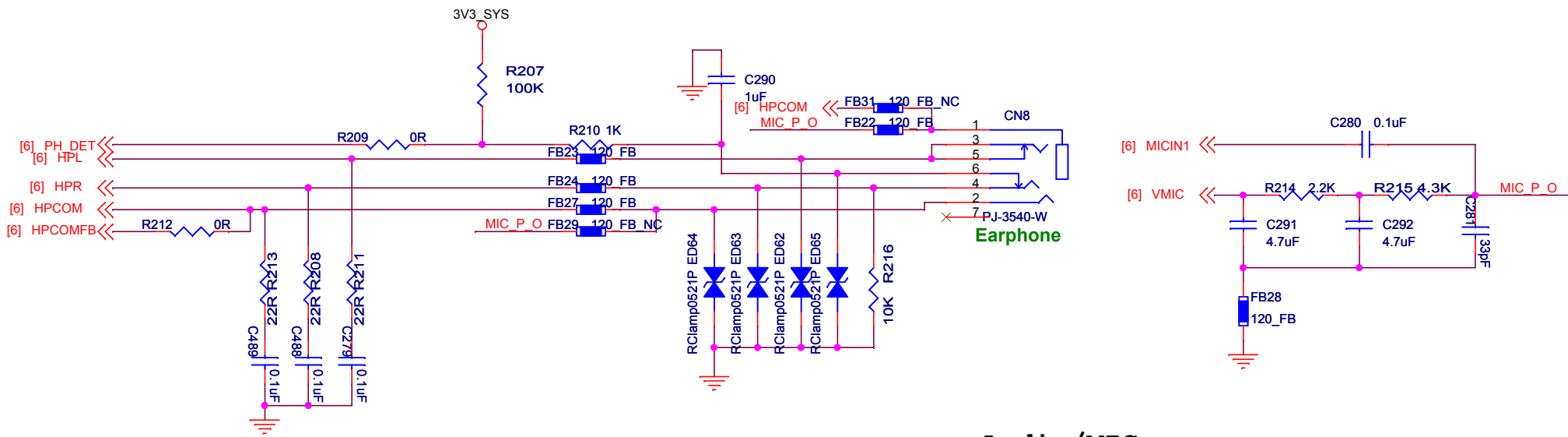
Title		
pcDuino		
Size	Document Number	Rev
A4	HDMI	V3.0
Date:	Tuesday, December 24, 2013	Sheet 10 of 16



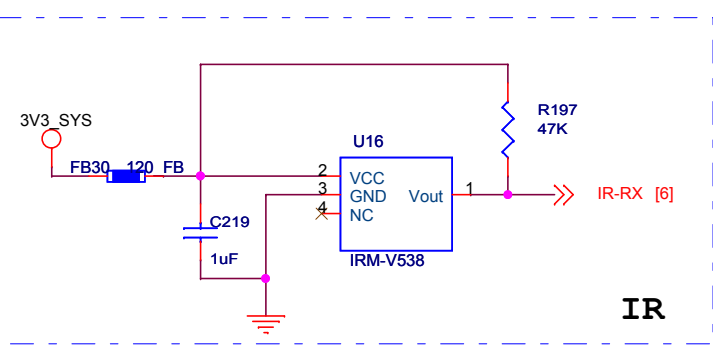
Title		
pcDuino		
Size	Document Number	Rev
B	LVDS/CSI	V3.0
Date:	Tuesday, December 24, 2013	Sheet 11 of 16



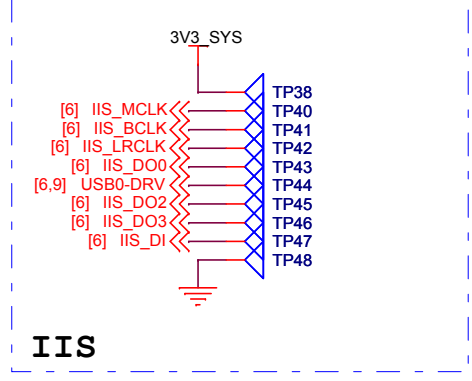
Title		
pcDuino		
Size	Document Number	Rev
A4	WIFI/USB	V3.0
Date:	Tuesday, December 24, 2013	Sheet 12 of 16



**Audio/MIC**

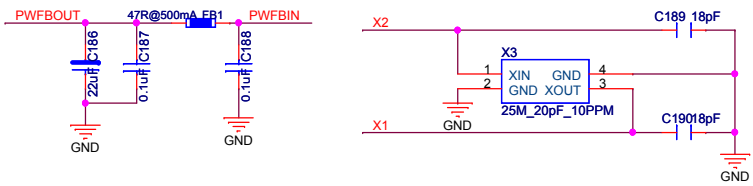
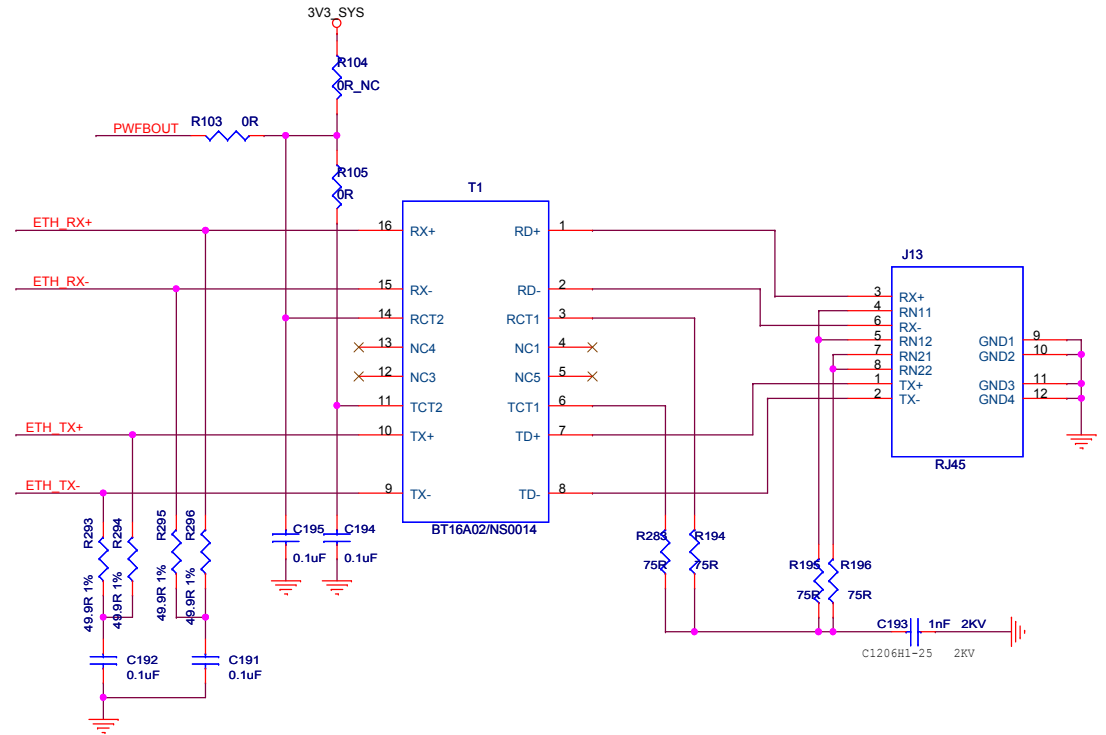
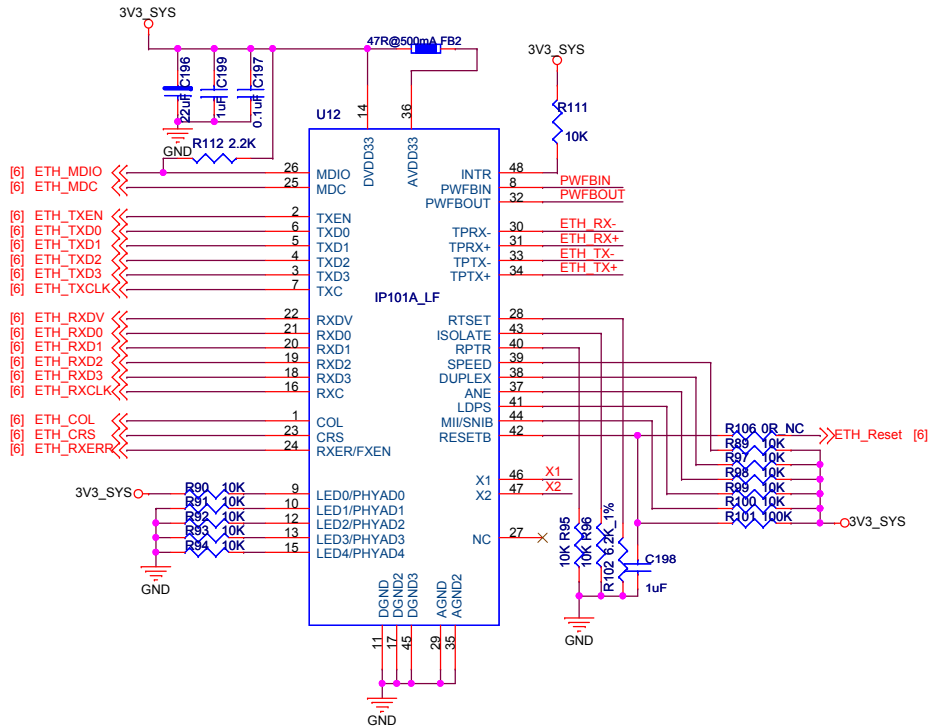


**IR**

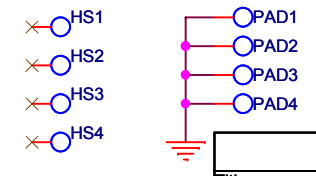
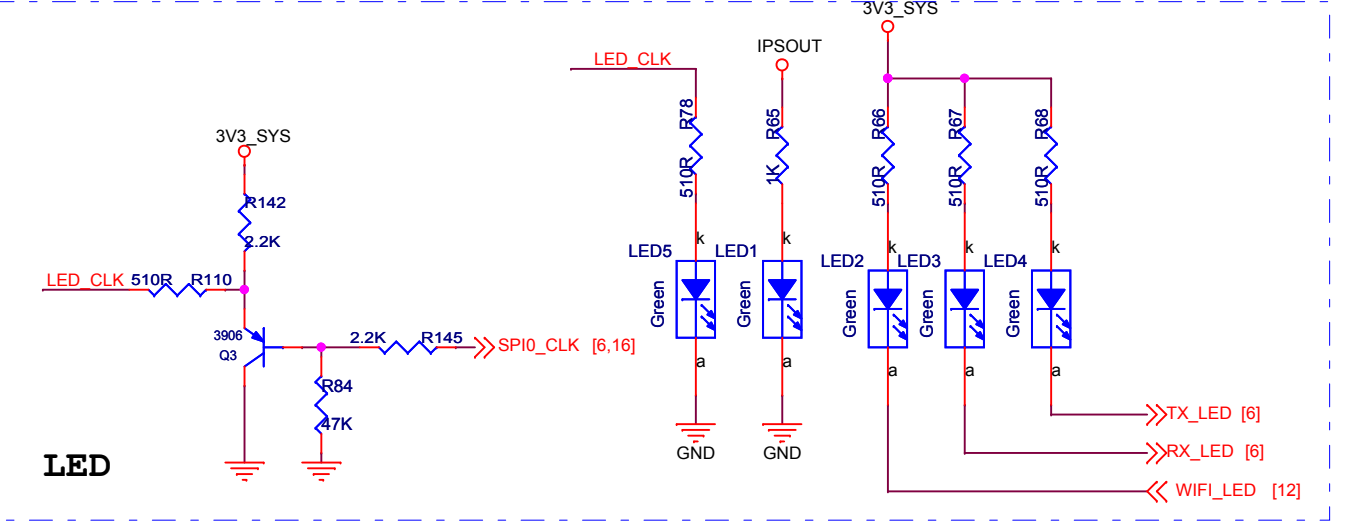
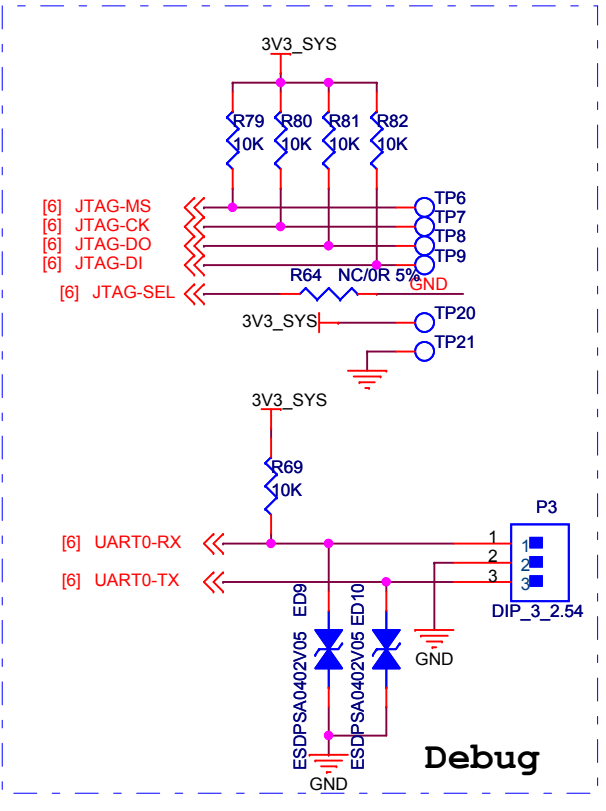
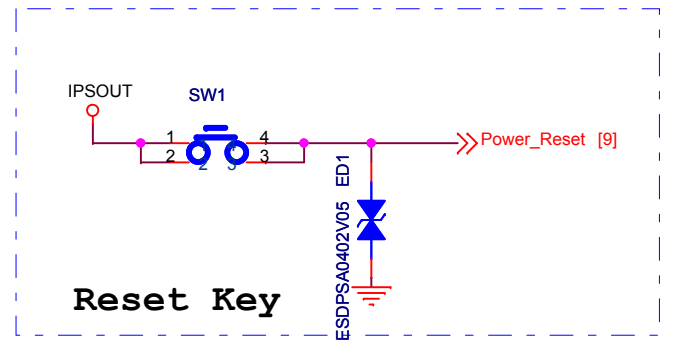
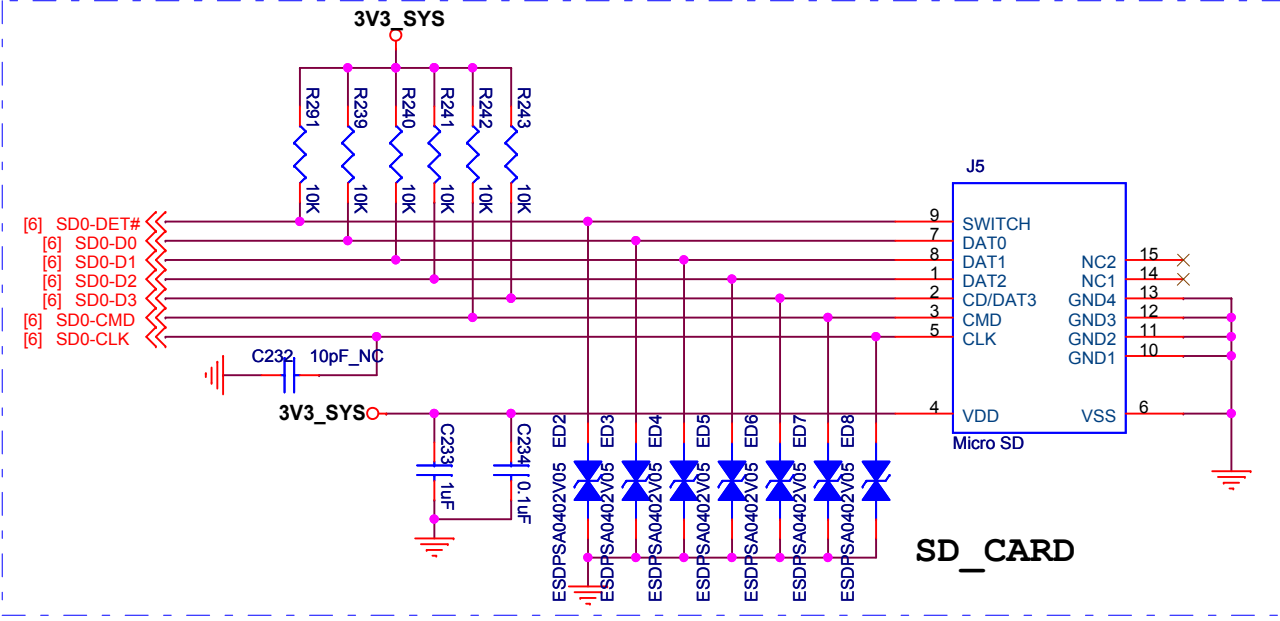


**IIS**

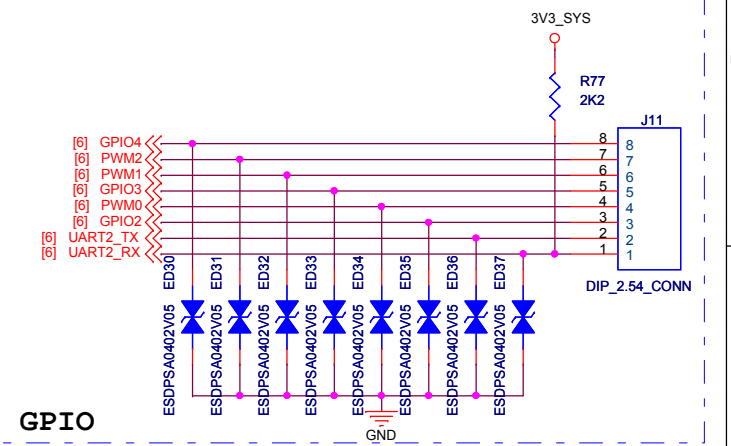
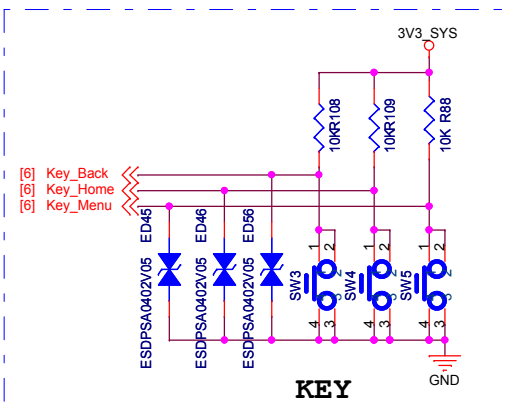
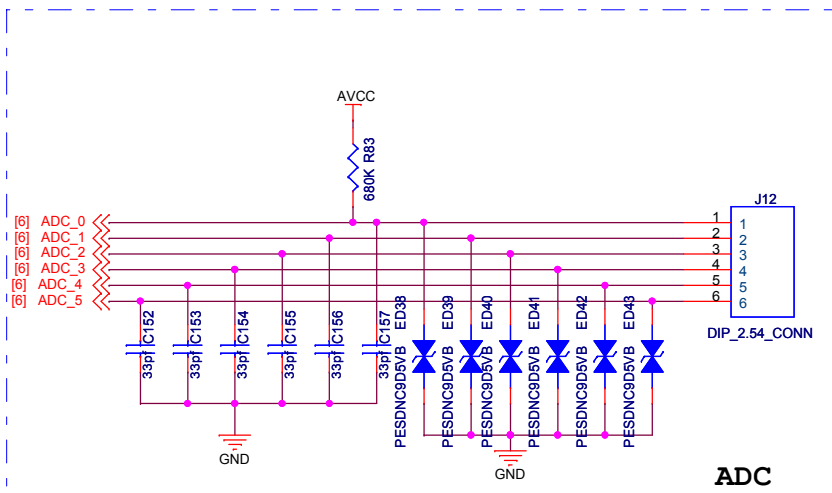
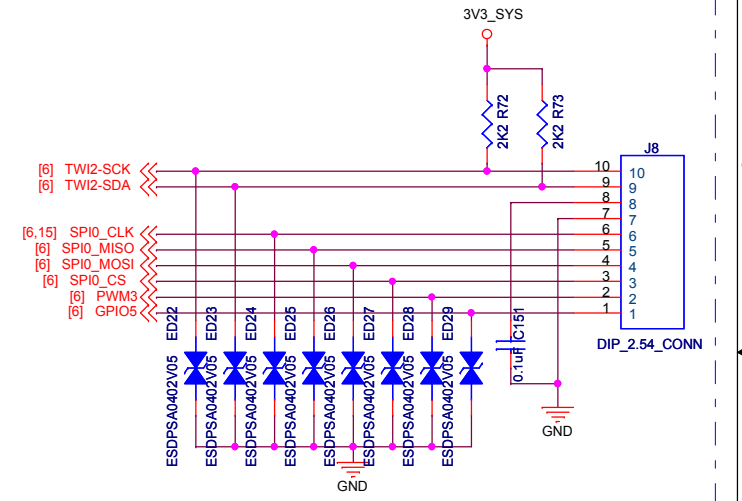
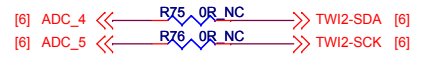
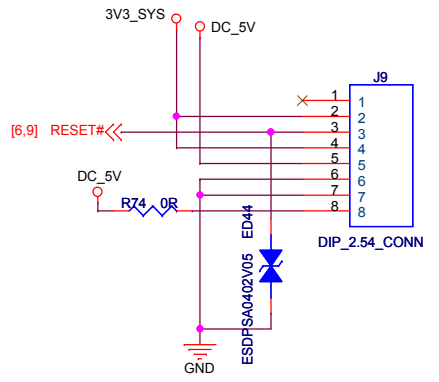
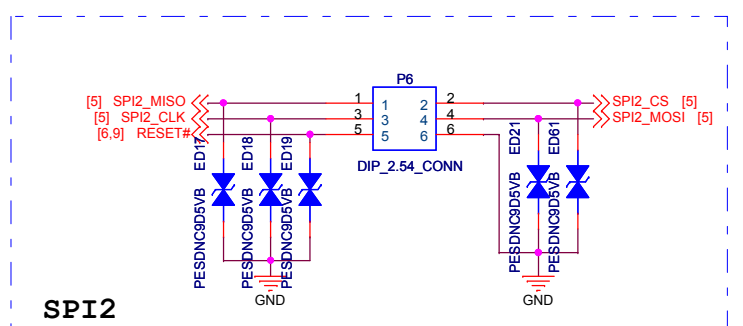
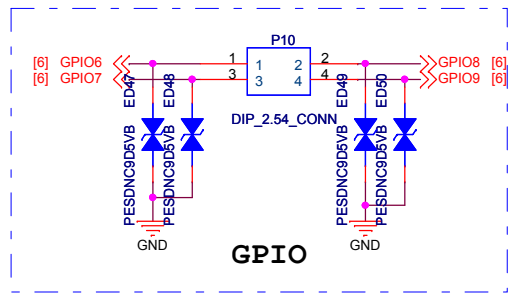
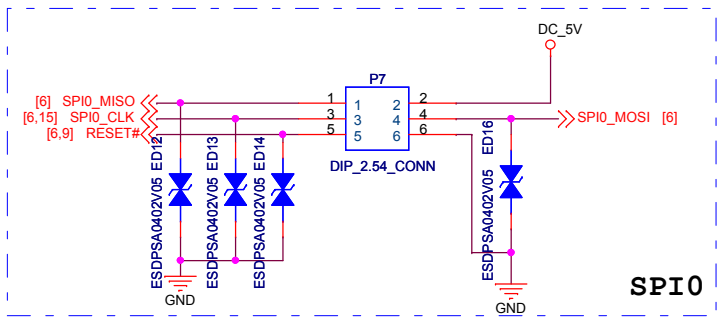
Title			
pcDuino			
Size	Document Number		Rev
Custom	Audio/IIS/IR		3.0
Date:	Tuesday, December 24, 2013	Sheet	13 of 16



Title		
pcDuino		
Size	Document Number	Rev
B	Ethernet	V3.0
Date:	Tuesday, December 24, 2013	Sheet 14 of 16



Title		
pcDuino		
Size	Document Number	Rev
A4	SD/Debug	V3.0
Date:	Tuesday, December 24, 2013	Sheet 15 of 16



Title			pcDuino
Size	Document Number	Rev	
Custom	CONN	V3.0	
Date:	Tuesday, December 24, 2013	Sheet	16 of 16