

VERSION HISTORY

Revision Description Date Drawn Checked Approved

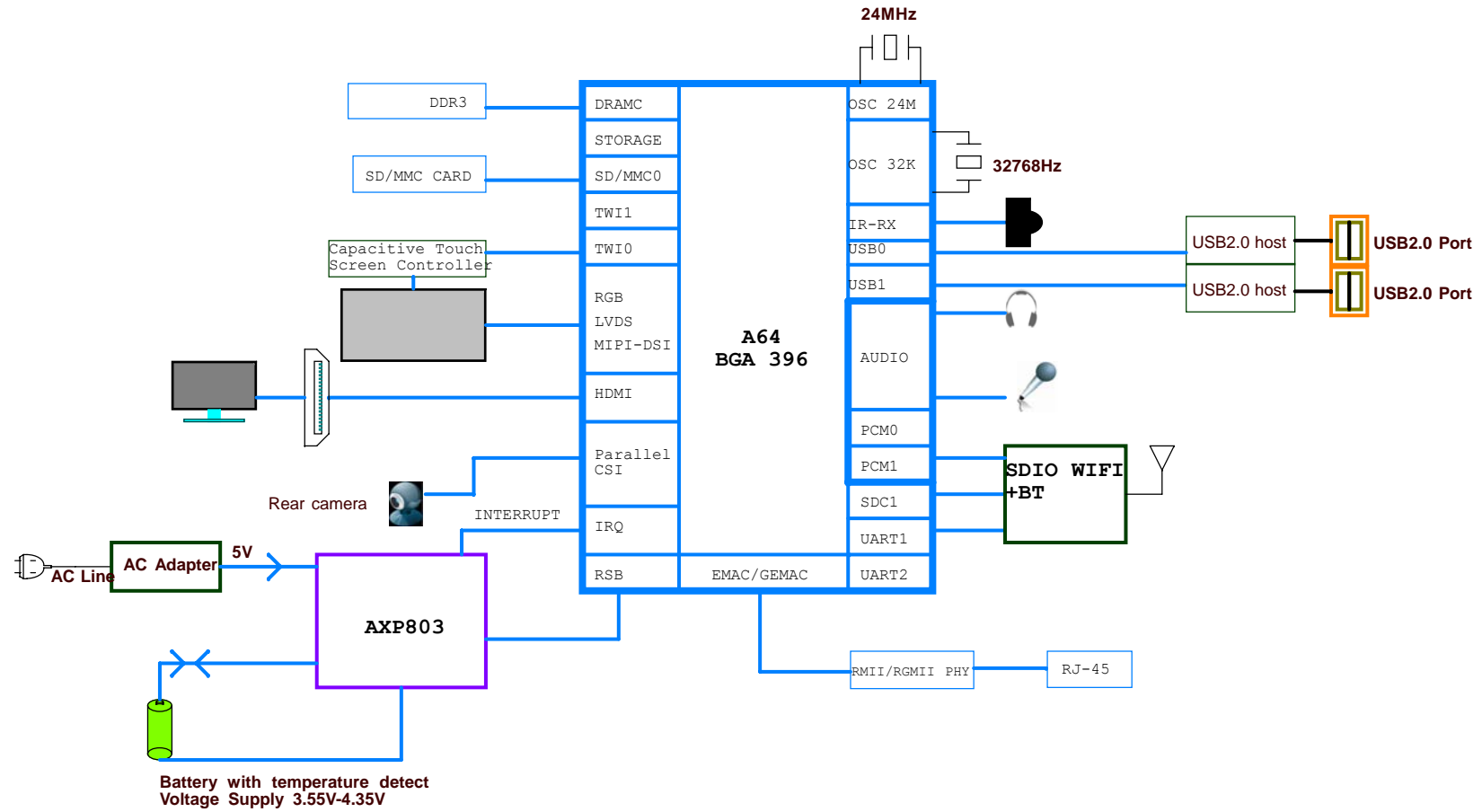
Revision	Description	Date	Drawn	Checked	Approved
Ver 0.9	Release version	2016-08-08			

Index:

- P01: REVISION HISTORY
- P02: BLOCK DIAGRAM
- P03: POWER TREE
- P04: DDR3 16X2
- P05: CPU
- P06: PMIC
- P07: DEVICE CONNECTIONS
- P08: GOLD FINGER

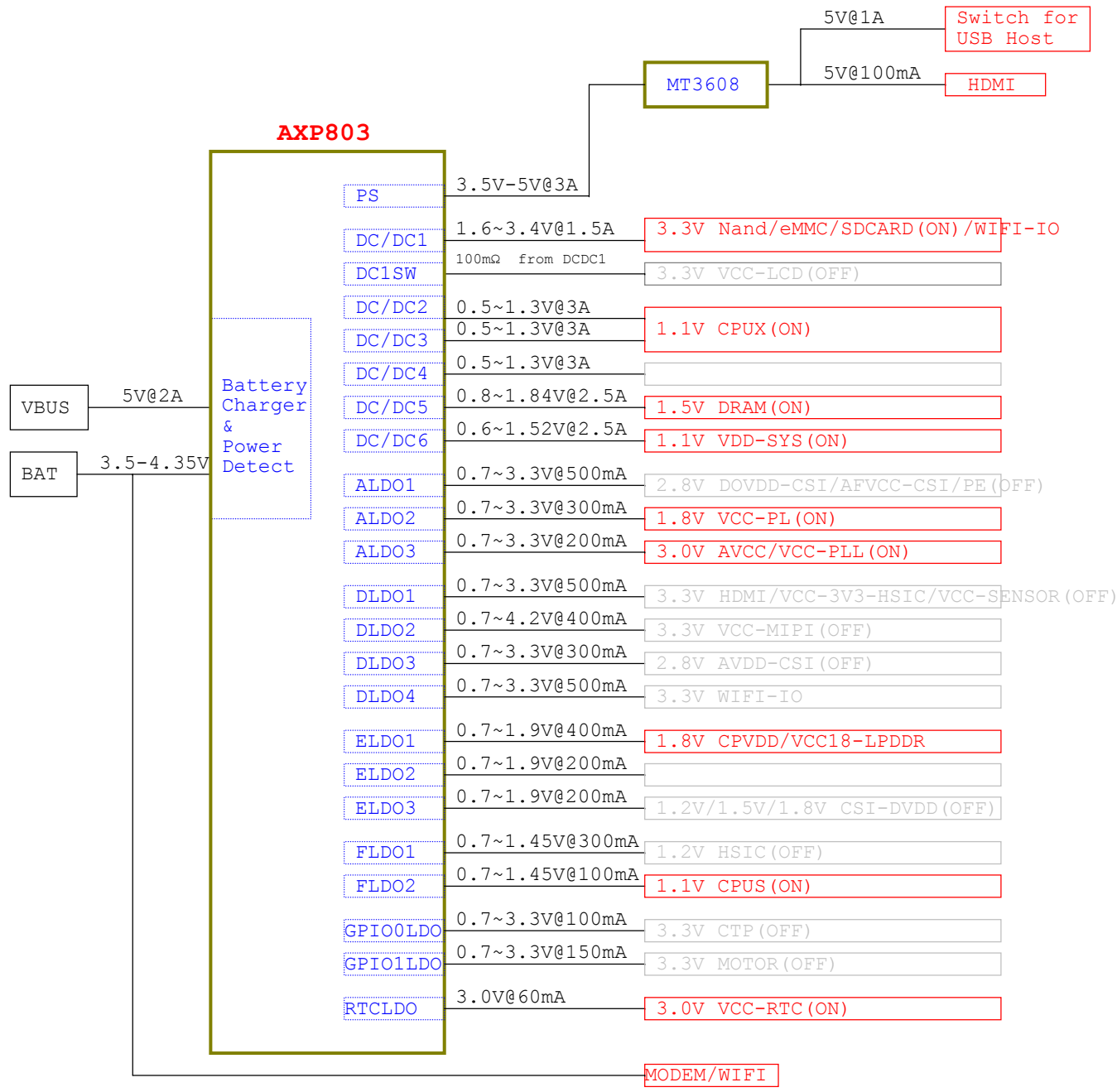
PINE64		
Title SOPINE A64		
Size A3	Document Number VERSION HISTORY	Rev 0.9
Date:	Sheet 1 of 8	

BLOCK DIAGRAM



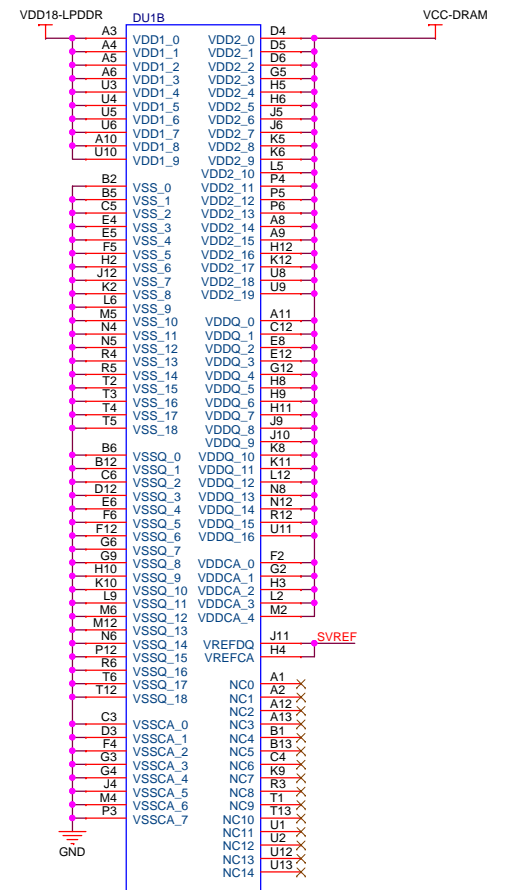
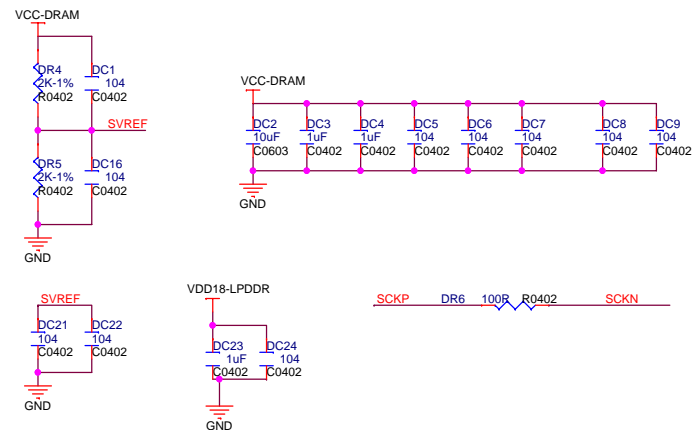
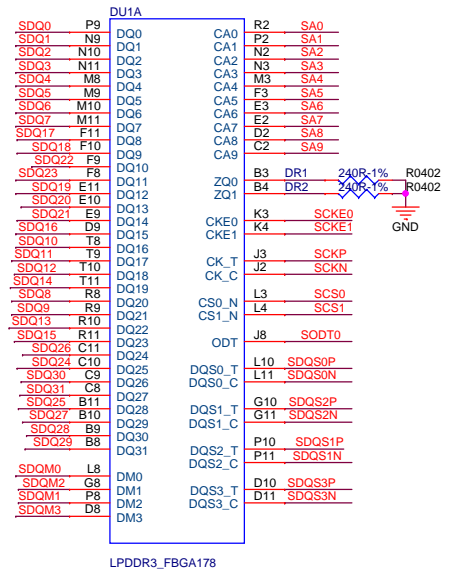
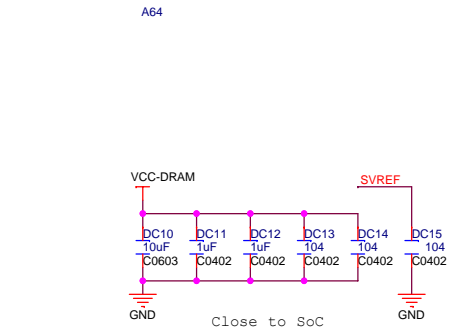
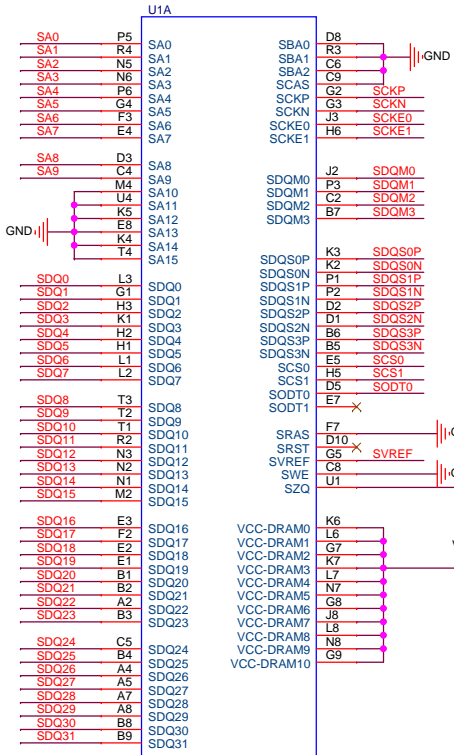
PINE64		
Title: SOPINE A64		
Size: A3	Document Number: BLOCK DIAGRAM	Rev: 0.9
Date:	Sheet 2 of 8	

POWER TREE



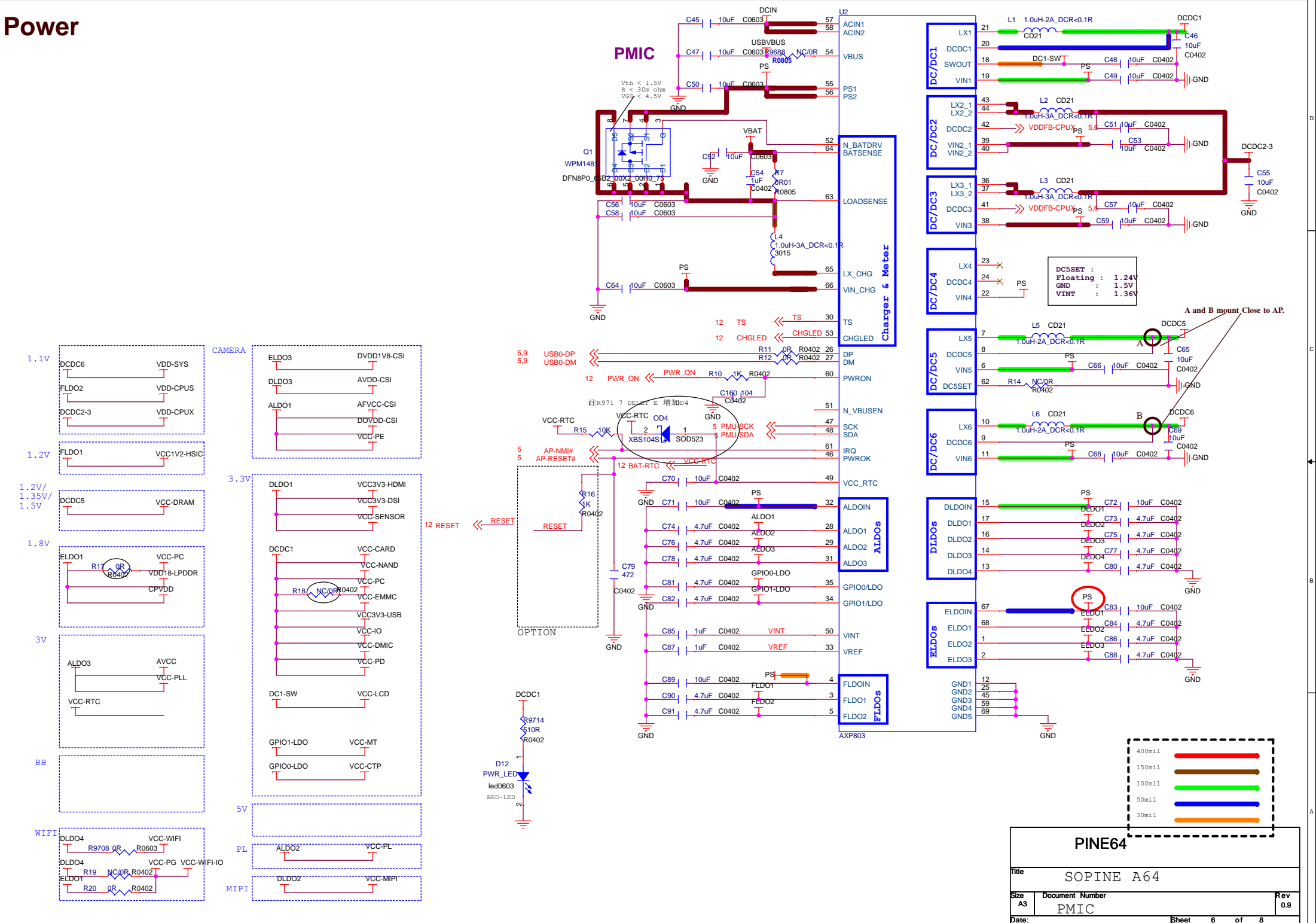
PINE64		
Title: SOPINE A64		
Size: A3	Document Number: POWER TREE	Rev: 0.9
Date:	Sheet: 1	3 of 8

LPDDR3 32X1



PINE64		
Title		
SOPINE A64		
Size	Document Number	Rev
A3	LPDDR3 32x1	0.9
Date:	Sheet	4 of 8

Power



PMIC

Charger & Meter

DC/DC1

DC/DC2

DC/DC3

DC/DC4

DC/DC5

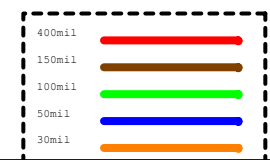
DC/DC6

ALDOs

ELDOs

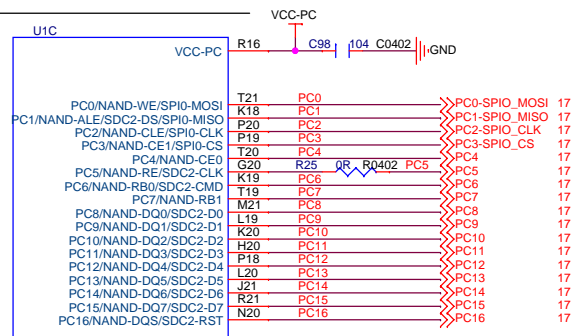
FLDOs

DC5SET
 Floating : 1.24V
 GND : 1.5V
 VINT : 1.36V

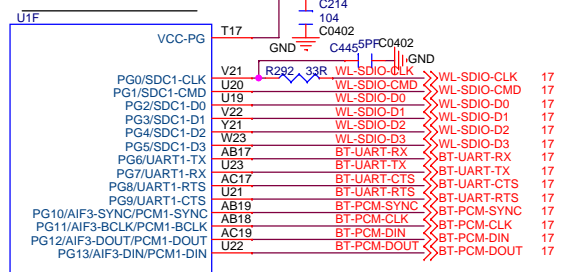


PINE64		
Title SOPINE A64		
Size A3	Document Number PMIC	Rev 0.9
Date:	Sheet 6	of 8

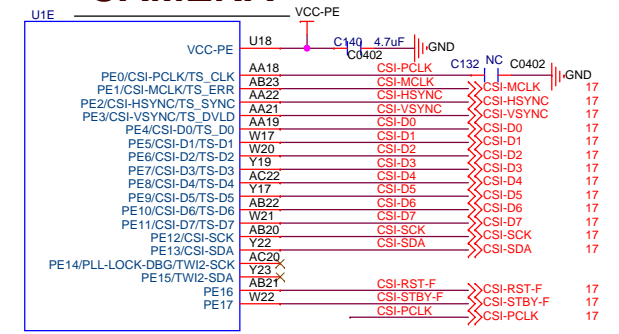
eMMC



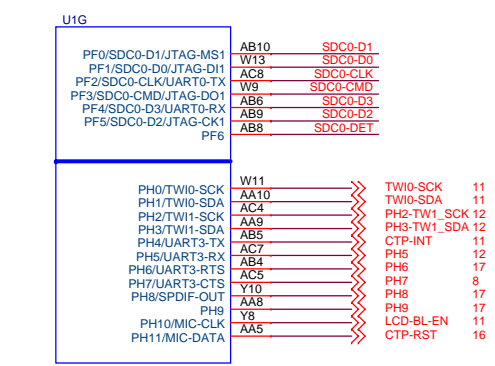
WIFI+BT



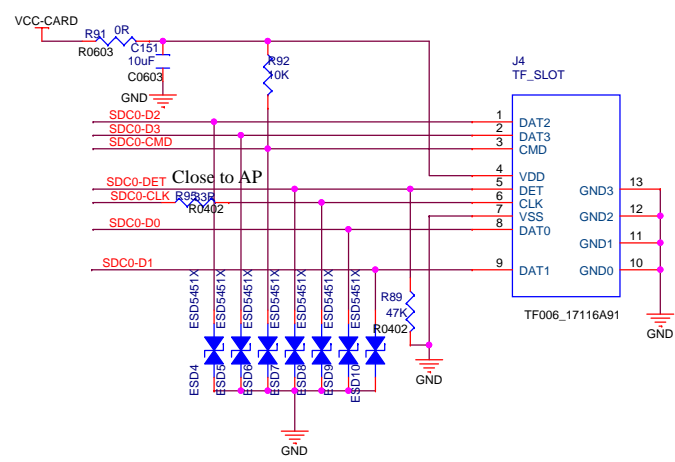
CAMERA



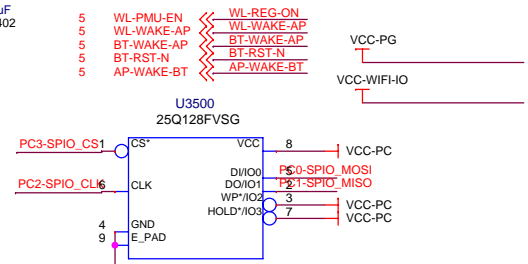
T-CARD/USB



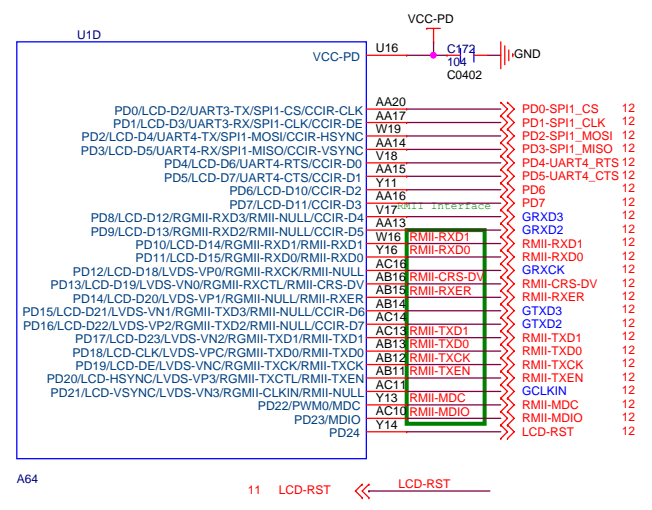
T-CARD



SPI FLASH



LCD



PINE64		
Title	SOPINE A64	
Size	Document Number	Rev
A3	DEVICE CONNECTIONS	0.9
Date:	Sheet	7 of 8

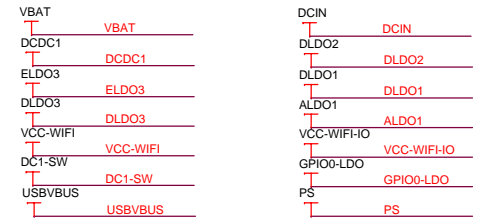
GOLD FINGER

Pin	Signal	Pin	Signal
9	HBIAS	1	HBIAS
9	HPOUTL	3	HPOUTL
9	HPOUTR	5	HPOUTR
9	MIC2N	7	MIC2N
9	MIC2P	9	MIC2P
9	PL11-IR_RX	11	PL11-IR_RX
9	PL8	13	PL8-S_TWI_SCK
9	PL9	15	PL9-S_TWI_SDA
9	WL-PMU-EN	17	WL-REG_ON
9	WL-WAKE-AP	19	WL-WAKE-AP
9	PC5	21	PC5
9	PB5-I2S_BCLK	23	PB5-I2S_BCLK
9	PB7-I2S_DIN	25	PB7-I2S_DIN
9	PB9	27	PB9
9	PB0-UART2_TX	29	PB0-UART2_TX
9	PH3-TW1_SDA	31	PH3-TW1_SDA
9	PB6-I2S_DOUT	33	PB6-I2S_DOUT
9	TP-SCK	35	TP-SCK
9	PD6	37	PD6
9	RMII-TXEN	39	RMII-TXEN
9	PD1-SPI1_CLK	41	PD1-SPI1_CLK
9	RMII-RXD1	43	RMII-RXD1
9	RMII-MDC	45	RMII-MDC
9	PD2-SPI1_MOSI	47	PD2-SPI1_MOSI
9	CSI-D5	49	CSI-D5
9	PD3-SPI1_MISO	51	PD3-SPI1_MISO
9	WL-SDIO-D0	53	WL-SDIO-D0
9	CSI-D3	55	CSI-D3
9	CTP-RST	57	CTP-RST
9	PH7	59	PH7
9	GRXD3	61	GRXD3
9	PB1-UART2_RX	63	PB1-UART2_RX
9	PH9	65	PH9
9	RMII-TXCK	67	RMII-TXCK
9	GRXD2	69	GRXD2
9	RMII-TXD0	71	RMII-TXD0
9	RMII-RXR	73	RMII-RXR
9	RMII-RXER	75	RMII-RXER
9	RMII-CRS-DV	77	RMII-CRS-DV
9	GRXCK	79	GRXCK
9	CSI-D0	81	CSI-D0
9	BT-PCM-DIN	83	BT-PCM-DIN
9	BT-PCM-SYNC	85	BT-PCM-SYNC
9	CSI-VSYNC	87	CSI-VSYNC
9	CSI-D4	89	CSI-D4
9	CSI-D6	91	CSI-D6
9	CSI-STBY-F	93	CSI-STBY-F
9	CSI-D7	95	CSI-D7
9	CSI-SDA	97	CSI-SDA
9	BT-UART-RTS	99	BT-UART-RTS
9	BT-UART-TX	101	BT-UART-TX
9	MIPI-DSI-D0P	103	MIPI-DSI-D0P
9	MIPI-DSI-D0N	105	MIPI-DSI-D0N
9	MIPI-DSI-D2P	107	MIPI-DSI-D2P
9	MIPI-DSI-D2N	109	MIPI-DSI-D2N
9	PC8	111	PC8
9	PC7	113	PC7
9	PC15	115	PC15
9	PC4	117	PC4
9	HTX2N	119	HDMI-HTX2N
9	HTX2P	121	HDMI-HTX2P
9	HTX1P	123	HDMI-HTX1P
9	HTX1N	125	HDMI-HTX1N
9	HTXCN	127	HDMI-TXCN
9	HTXCP	129	HDMI-TXCP
9	PC9	131	PC9
9	PC14	133	PC14
9	PC13	135	PC13
9	HSCL	137	HDMI-SCL
9	HSDA	139	HDMI-SDA
9	PC11	141	PC11
9	HCEC	143	HDMI-CEC
9	USB0-DP	145	USB0-DP
9	USB0-DM	147	USB0-DM
9	CHGLED	149	CHG_LED
9	RESET	151	RESET
9	ELDO3	153	ELDO3
9	DLDO3	155	DLDO3
9	VCC-WIFI	157	VCC-WIFI
9	DC1-SW	159	DC1-SW
9	DLDO2	161	DLDO2
9	DLDO1	163	DLDO1
9	VCC-WIFI-IO	165	VCC-WIFI-IO
9	BAT-RTC	167	VRTC
9	PS	169	PS
9	PS	171	PS
9	PS	173	PS
9	PS	175	PS
9	PS	177	PS
9	PS	179	PS
9	PS	181	PS
9	PS	183	PS
9	PS	185	PS
9	PS	187	PS
9	PS	189	PS
9	PS	191	PS
9	PS	193	PS
9	PS	195	PS
9	PS	197	PS
9	PS	199	PS
9	PS	201	PS
9	PS	203	PS

PIC-203

Pin	Signal	Pin	Signal
9	EAROUT_P	2	EAROUT_P
9	EAROUT_N	4	EAROUT_N
9	HS-MIC	6	HS-MIC
9	HPOUTFB	8	HPOUTFB
9	KEYADC	10	KEYADC
9	BT-RST-N	12	BT-RST-N
9	AP-WAKE-BT	14	AP-WAKE-BT
9	BT-WAKE-AP	16	BT-WAKE-AP
9	HP-DET	18	HP-DET
9	PL7	20	PL7
9	LCD-BL-EN	22	LCD-BL-EN
9	PB4-I2S_SYNC	24	PB4-I2S_SYNC
9	PB3-I2S_MCLK	26	PB3-I2S_MCLK
9	PB8	28	PB8
9	PB2	30	PB2
9	PH8	32	PH8
9	PD7	34	PD7
9	PD5-UART4_CTS	36	PD5-UART4_CTS
9	TWIO-SDA	38	TP-SDA
9	RMII-RXD0	40	RMII-RXD0
9	LCD-RST	42	LCD-RST
9	PD4-UART4_RTS	44	PD4-UART4_RTS
9	CSI-D1	46	CSI-D1
9	CSI-PCLK	48	CSI-PCLK
9	PD0-SPI1_CS	50	PD0-SPI1_CS
9	PH2-TW1_SCK	52	PH2-TW1_SCK
9	CTP-INT	54	CTP-INT
9	PH6	56	PH6
9	PH5	58	PH5
9	WL-SDIO-CLK	60	WL-SDIO-CLK
9	GCLKIN	62	GCLKIN
9	RMII-MDIO	64	RMII-MDIO
9	RMII-TXD1	66	RMII-TXD1
9	GTXD3	68	GTXD3
9	GTXD2	70	GTXD2
9	BT-PCM-CLK	72	BT-PCM-CLK
9	BT-UART-CTS	74	BT-UART-CTS
9	BT-UART-RX	76	BT-UART-RX
9	CSI-RST-F	78	CSI-RST-F
9	CSI-D2	80	CSI-D2
9	CSI-SCK	82	CSI-SCK
9	CSI-HSYNC	84	CSI-HSYNC
9	CSI-MCLK	86	CSI-MCLK
9	WL-SDIO-D2	88	WL-SDIO-D2
9	WL-SDIO-CMD	90	WL-SDIO-CMD
9	WL-SDIO-D1	92	WL-SDIO-D1
9	WL-SDIO-D3	94	WL-SDIO-D3
9	MIPI-DSI-D1P	96	MIPI-DSI-D1P
9	MIPI-DSI-D1N	98	MIPI-DSI-D1N
9	BT-PCM-DOUT	100	BT-PCM-DOUT
9	MIPI-DSI-D3P	102	MIPI-DSI-D3P
9	MIPI-DSI-D3N	104	MIPI-DSI-D3N
9	MIPI-DSI-D2P	106	MIPI-DSI-D2P
9	MIPI-DSI-D2N	108	MIPI-DSI-D2N
9	PC8	110	PC8
9	PC7	112	PC7
9	HTX0P	114	HDMI-HTX0P
9	HTX0N	116	HDMI-HTX0N
9	PC16	118	PC16
9	PC12	120	PC12
9	PC6	122	PC6
9	PC10	124	PC10
9	USB1-DP	126	USB1-DP
9	USB1-DM	128	USB1-DM
9	HHPD	130	HDMI-HPD
9	PL10-S_PWM	132	PL10-S_PWM
9	PWR_ON	134	PWR_ON
9	DCDC1	136	DCDC1
9	GPI00-LDO	138	GPI00-LDO
9	ALDO1	140	ALDO1
9	DCIN	142	DCIN
9	DCIN	144	DCIN
9	DCIN	146	DCIN
9	DCIN	148	DCIN
9	DCIN	150	DCIN
9	DCIN	152	DCIN
9	DCIN	154	DCIN
9	DCIN	156	DCIN
9	DCIN	158	DCIN
9	DCIN	160	DCIN
9	DCIN	162	DCIN
9	DCIN	164	DCIN
9	DCIN	166	DCIN
9	DCIN	168	DCIN
9	DCIN	170	DCIN
9	DCIN	172	DCIN
9	DCIN	174	DCIN
9	DCIN	176	DCIN
9	DCIN	178	DCIN
9	DCIN	180	DCIN
9	DCIN	182	DCIN
9	DCIN	184	DCIN
9	DCIN	186	DCIN
9	DCIN	188	DCIN
9	DCIN	190	DCIN
9	DCIN	192	DCIN
9	DCIN	194	DCIN
9	DCIN	196	DCIN
9	DCIN	198	DCIN
9	DCIN	200	DCIN
9	DCIN	202	DCIN
9	DCIN	204	DCIN
9	TS	206	TS

PIC-204



PINE64		
Title		
SOPINE A64		
Size	Document Number	Rev
A3	GOLD FINGER	0.9
Date:	Sheet	8 of 8