



MB39C811-EVB-03

PMIC for Solar/Thermal Energy Harvesting, Evaluation Board Operation Guide

Doc. No. 002-08722 Rev. *A

Cypress Semiconductor
198 Champion Court
San Jose, CA 95134-1709
<http://www.cypress.com>



© Cypress Semiconductor Corporation, 2015-2016. This document is the property of Cypress Semiconductor Corporation and its subsidiaries, including Spansion LLC ("Cypress"). This document, including any software or firmware included or referenced in this document ("Software"), is owned by Cypress under the intellectual property laws and treaties of the United States and other countries worldwide. Cypress reserves all rights under such laws and treaties and does not, except as specifically stated in this paragraph, grant any license under its patents, copyrights, trademarks, or other intellectual property rights. If the Software is not accompanied by a license agreement and you do not otherwise have a written agreement with Cypress governing the use of the Software, then Cypress hereby grants you a personal, non-exclusive, nontransferable license (without the right to sublicense) (1) under its copyright rights in the Software (a) for Software provided in source code form, to modify and reproduce the Software solely for use with Cypress hardware products, only internally within your organization, and (b) to distribute the Software in binary code form externally to end users (either directly or indirectly through resellers and distributors), solely for use on Cypress hardware product units, and (2) under those claims of Cypress's patents that are infringed by the Software (as provided by Cypress, unmodified) to make, use, distribute, and import the Software solely for use with Cypress hardware products. Any other use, reproduction, modification, translation, or compilation of the Software is prohibited.

TO THE EXTENT PERMITTED BY APPLICABLE LAW, CYPRESS MAKES NO WARRANTY OF ANY KIND, EXPRESS OR IMPLIED, WITH REGARD TO THIS DOCUMENT OR ANY SOFTWARE OR ACCOMPANYING HARDWARE, INCLUDING, BUT NOT LIMITED TO, THE IMPLIED WARRANTIES OF MERCHANTABILITY AND FITNESS FOR A PARTICULAR PURPOSE. To the extent permitted by applicable law, Cypress reserves the right to make changes to this document without further notice. Cypress does not assume any liability arising out of the application or use of any product or circuit described in this document. Any information provided in this document, including any sample design information or programming code, is provided only for reference purposes. It is the responsibility of the user of this document to properly design, program, and test the functionality and safety of any application made of this information and any resulting product. Cypress products are not designed, intended, or authorized for use as critical components in systems designed or intended for the operation of weapons, weapons systems, nuclear installations, life-support devices or systems, other medical devices or systems (including resuscitation equipment and surgical implants), pollution control or hazardous substances management, or other uses where the failure of the device or system could cause personal injury, death, or property damage ("Unintended Uses"). A critical component is any component of a device or system whose failure to perform can be reasonably expected to cause the failure of the device or system, or to affect its safety or effectiveness. Cypress is not liable, in whole or in part, and you shall and hereby do release Cypress from any claim, damage, or other liability arising from or related to all Unintended Uses of Cypress products. You shall indemnify and hold Cypress harmless from and against all claims, costs, damages, and other liabilities, including claims for personal injury or death, arising from or related to any Unintended Uses of Cypress products.

Cypress, the Cypress logo, Spansion, the Spansion logo, and combinations thereof, PSoC, CapSense, EZ-USB, F-RAM, and Traveo are trademarks or registered trademarks of Cypress in the United States and other countries. For a more complete list of Cypress trademarks, visit cypress.com. Other names and brands may be claimed as property of their respective owners.

Preface



Purpose of this manual and intended readers

This manual explains how to use the evaluation board. Be sure to read this manual before using the product. For this product, please consult with sales representatives or support representatives.

Handling and use

Handling and use of this product and notes regarding its safe use are described in the manuals.

Follow the instructions in the manuals to use this product.

Keep this manual at hand so that you can refer to it anytime during use of this product.



Notice on this document

All information included in this document is current as of the date it is issued. Such information is subject to change without any prior notice.

Please confirm the latest relevant information with the sales representatives.

Caution of the products described in this document

The following precautions apply to the product described in this manual.

 WARNING	Indicates a potentially hazardous situation which could result in death or serious injury and/or a fault in the user's system if the product is not used correctly.
Electric shock, Damage	Before performing any operation described in this manual, turn off all the power supplies to the system. Performing such an operation with the power on may cause an electric shock or device fault.
Electric shock, Damage	Once the product has been turned on, do not touch any metal part of it. Doing so may cause an electric shock or device fault.
 CAUTION	Indicates the presence of a hazard that may cause a minor or moderate injury, damages to this product or devices connected to it, or may cause to loose software resources and other properties such as data, if the device is not used appropriately.
Cuts, Damage	Before moving the product, be sure to turn off all the power supplies and unplug the cables. Watch your step when carrying the product. Do not use the product in an unstable location such as a place exposed to strong vibration or a sloping surface. Doing so may cause the product to fall, resulting in an injury or fault.
Cuts	The product contains sharp edges that are left unavoidably exposed, such as jumper plugs. Handle the product with due care not to get injured with such pointed parts.
Damage	Do not place anything on the product or expose the product to physical shocks. Do not carry the product after the power has been turned on. Doing so may cause a malfunction due to overloading or shock.
Damage	Since the product contains many electronic components, keep it away from direct sunlight, high temperature, and high humidity to prevent condensation. Do not use or store the product where it is exposed to much dust or a strong magnetic or electric field for an extended period of time .Inappropriate operating or storage environments may cause a fault.
Damage	Use the product within the ranges given in the specifications. Operation over the specified ranges may cause a fault.
Damage	To prevent electrostatic breakdown, do not let your finger or other object come into contact with the metal parts of any of the connectors. Before handling the product, touch a metal object (such as a door knob) to discharge any static electricity from your body.
Damage	When turning the power on or off, follow the relevant procedure as described in this document. Before turning the power on, in particular, be sure to finish making all the required connections. Furthermore, be sure to configure and use the product by following the instructions given in this document. Using the product incorrectly or inappropriately may cause a fault.
Damage	Always turn the power off before connecting or disconnecting any cables from the product. When unplugging a cable, unplug the cable by holding the connector part without pulling on the cable itself. Pulling the cable itself or bending it may expose or disconnect the cable core, resulting in a fault.
Damage	Because the product has no casing, it is recommended that it be stored in the original packaging. Transporting the product may cause a damage or fault. Therefore, keep the packaging materials and use them when re-shipping the product.

Contents



1. Description	6
2. Evaluation Board Specification	7
3. Block Diagram	8
4. Pin Descriptions	9
4.1 Input/Output Pin Descriptions	9
4.2 Jumper Descriptions	10
5. Outside Drawing of Evaluation Board	11
6. Setup and Verification	12
6.1 Solar (or Light) Energy Harvesting.....	12
6.2 Vibration Energy Harvesting	13
7. Circuit Schematic	14
8. Component List	15
9. Silk and Layout	16
10. Ordering Information	18
11. Major Changes	19
12. Revision History	20
Document Revision History	20

1. Description



The MB39C811-EVB-03 is the tiny evaluation board for the energy harvesting (Power Management) IC, MB39C811. This evaluation board is capable of accepting solar, piezoelectric, or any high impedance AC or DC source.

2. Evaluation Board Specification



Table 1. Evaluation Board Specification

Parameter	Symbol	Condition	Min.	Typ.	Max.	Unit
Input voltage	VIN	-	2.6	-	23	V
Input slew rate	VIN	VIN ≥ 7V	-	-	0.25	V/ms
Input current	VIN	-	-	-	100	mA
AC pin input voltage	AC1-1,AC1-2, AC2-1,AC2-2	-	-	-	23	V
AC pin input current	AC1-1,AC1-2, AC2-1,AC2-2	-	-	-	50	mA
Output voltage	VOUT	See Table 4-3	1.5	-	5	V
Output current	VOUT	Up to 100mA	-	-	100	mA
UVLO release voltage	VOUT	JP3=L, JP2=L, JP1=L (1.5V)	3.8	4.0	4.2	V
		JP3=L, JP2=L, JP1=H (1.8V)				
		JP3=L, JP2=H, JP1=L (2.5V)				
		JP3=L, JP2=H, JP1=H (3.3V)	4.94	5.2	5.46	V
		JP3=H, JP2=L, JP1=L (3.6V)				
		JP3=H, JP2=L, JP1=H (4.1V)	6.84	7.2	7.56	V
		JP3=H, JP2=H, JP1=L (4.5V)				
JP3=H, JP2=H, JP1=H (5.0V)						
Forward bias voltage	AC1-1,AC1-2, AC2-1,AC2-2	IF=10 μA	150	280	450	mV

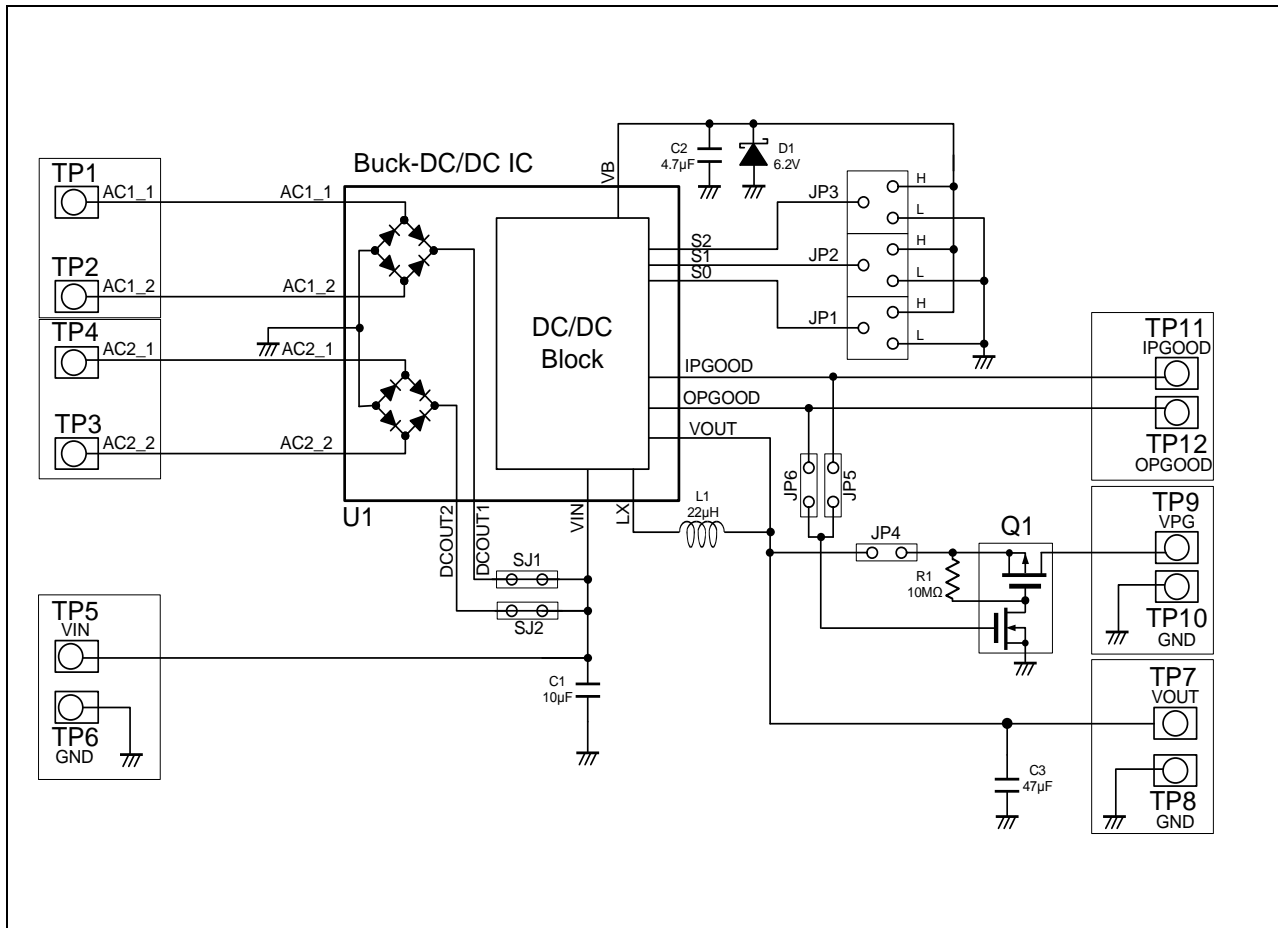
Please see the [MB39C811 datasheet](#) (DS405-00013) for more information.

Board size: 23mmx14mm

3. Block Diagram



Figure 1. Block Diagram



4. Pin Descriptions



4.1 Input/Output Pin Descriptions

Table 2. Input/Output Pin Descriptions

Pin Number	Pin Symbol	I/O	Function Description
TP1	AC1-1	I	Bridge rectifier 1, AC input 1
TP2	AC1-2	I	Bridge rectifier 1, AC input 2
TP4	AC2-1	I	Bridge rectifier 2, AC input 1
TP3	AC2-2	I	Bridge rectifier 2, AC input 2
TP5	VIN	I	DC power input It supplies power through the bridge rectifier from DCOUT1/2 to the VIN pin.
TP6	GND	-	GND pin
TP7	VOUT	O	VOUT pin
TP8	GND	-	GND pin
TP9	VPG	O	Power Gating VOOUT pin
TP10	GND	-	GND pin
TP11	IPGOOD	O	Input power good monitor pin
TP12	OPGOOD	O	Output power good monitor pin

4.2 Jumper Descriptions

Table 3. Jumper, Switch Descriptions

Jumper, Switch	Function Description	Initial Setting
SJ1	Connection jumper between the DC output pin (DCOUT1) of bridge rectifier 1 and DC input pin (VIN) of DC/DC converter	Pattern short
SJ2	Connection jumper between the DC output pin (DCOUT2) of bridge rectifier 2 and DC input pin (VIN) of DC/DC converter to "open/short"	Pattern short
JP1	High/Low selecting switch for S0. See Table 4	H
JP2	High/Low selecting switch for S1. See Table 4.	H
JP3	High/Low selecting switch for S2. See Table 4.	L
JP4	Short between VOUT and Power Gating Circuit	Short
JP5	Short between IPGOOD and Nch-Gate of Power Gating Circuit	Short
JP6	Short between OPGOOD and Nch-Gate of Power Gating Circuit	Open

*: Open/Short by soldering

Table 4. Output Voltage Settings

S2 Pin (JP3)	S1 Pin (JP2)	S0 Pin (JP1)	Preset Output Voltage
L	L	L	1.5
L	L	H	1.8
L	H	L	2.5
L	H	H	3.3 (Initial setting)
H	L	L	3.6
H	L	H	4.1
H	L	L	4.5
H	H	H	5.0

5. Outside Drawing of Evaluation Board



Figure 2. Outside Drawing (Top)

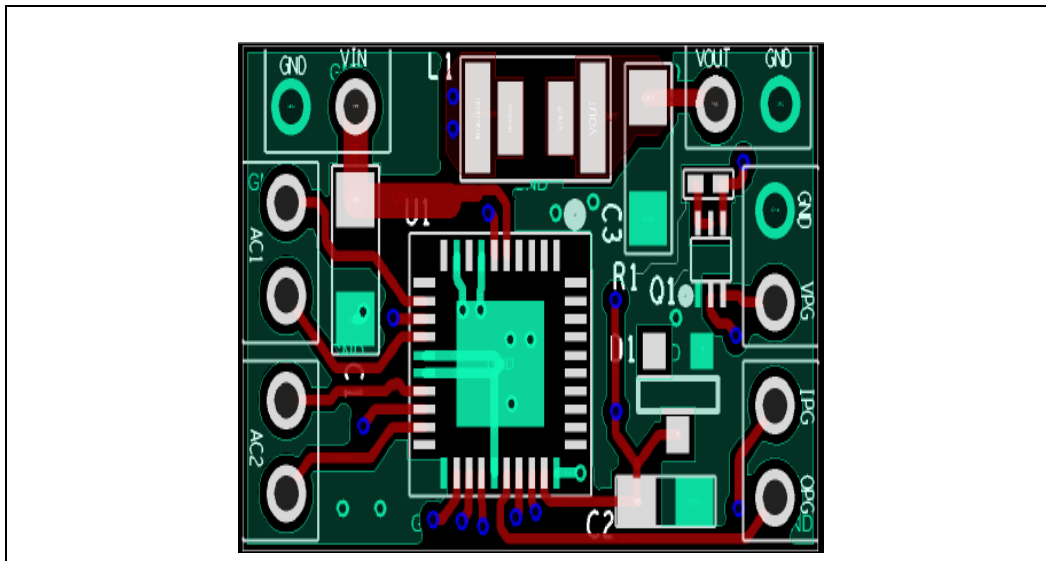
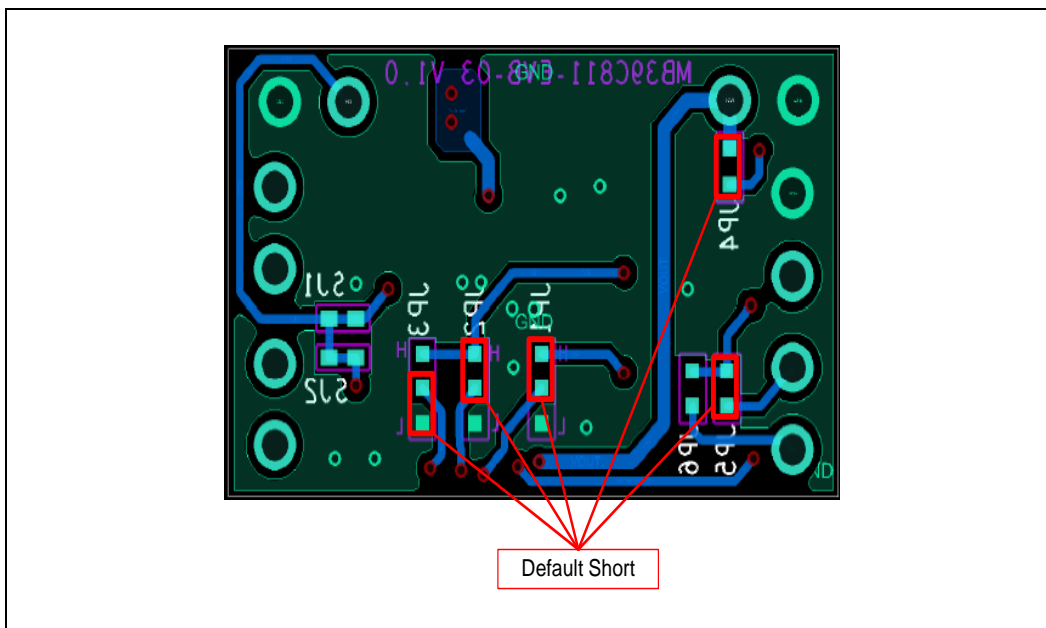


Figure 3. Outside Drawing (Bottom)



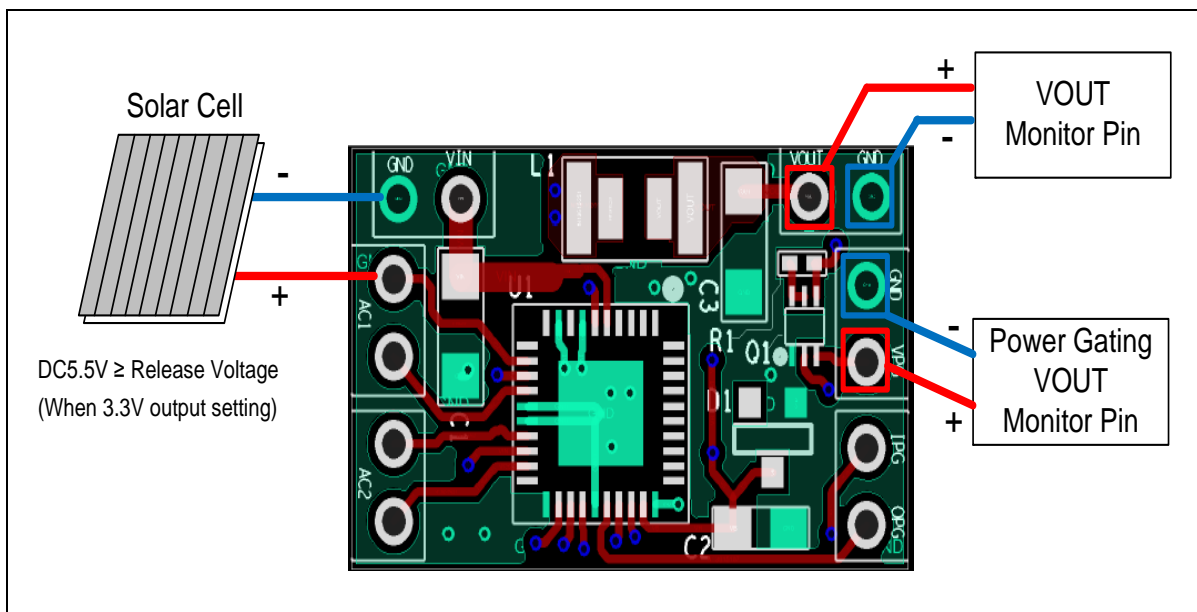
6. Setup and Verification



6.1 Solar (or Light) Energy Harvesting

1. To output 3.3V voltage to VOUT pin, input a DC 5.5V or more voltage into TP1 (AC1-1). Recommend solar cell of 8cells or more, if connect solar cell. The number of plus for UVLO release voltage (5.2Vtyp@3.3V setting) and the forward bias voltage of diode (0.28Vtyp) are required to start up (see the Table 1).
2. 3.3V is output to TP7 (VOUT) and TP9 (VPG).
3. To change the output voltage, change the jumper settings (see the Table 4) using soldering.

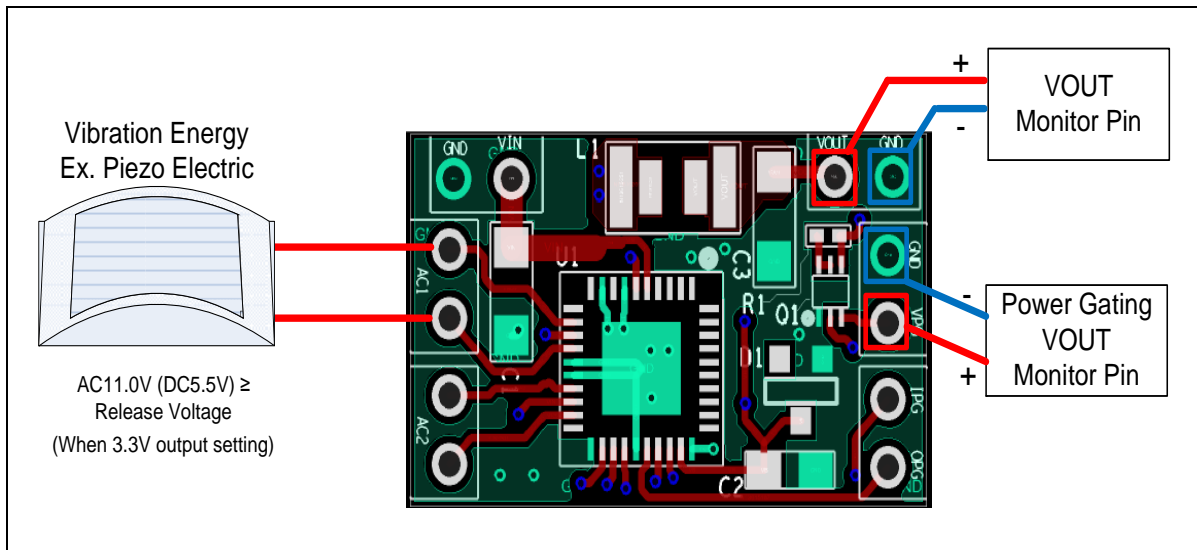
Figure 4. Solar (or Light)Energy Harvesting



6.2 Vibration Energy Harvesting

1. To output 3.3V voltage to VOUT pin, input AC 11V (DC5.5V) or more voltage into TP1 and TP2 (AC1-1 and AC1-2). The number of plus for UVLO release voltage (5.2Vtyp@3.3V setting) and the forward bias voltage of diode (0.28Vtyp) are required to start up (see the Table 1).
2. 3.3V is output to TP7 (VOUT) and TP9 (VPG).
3. To change the output voltage, change the jumper settings (see the Table 4) using soldering.

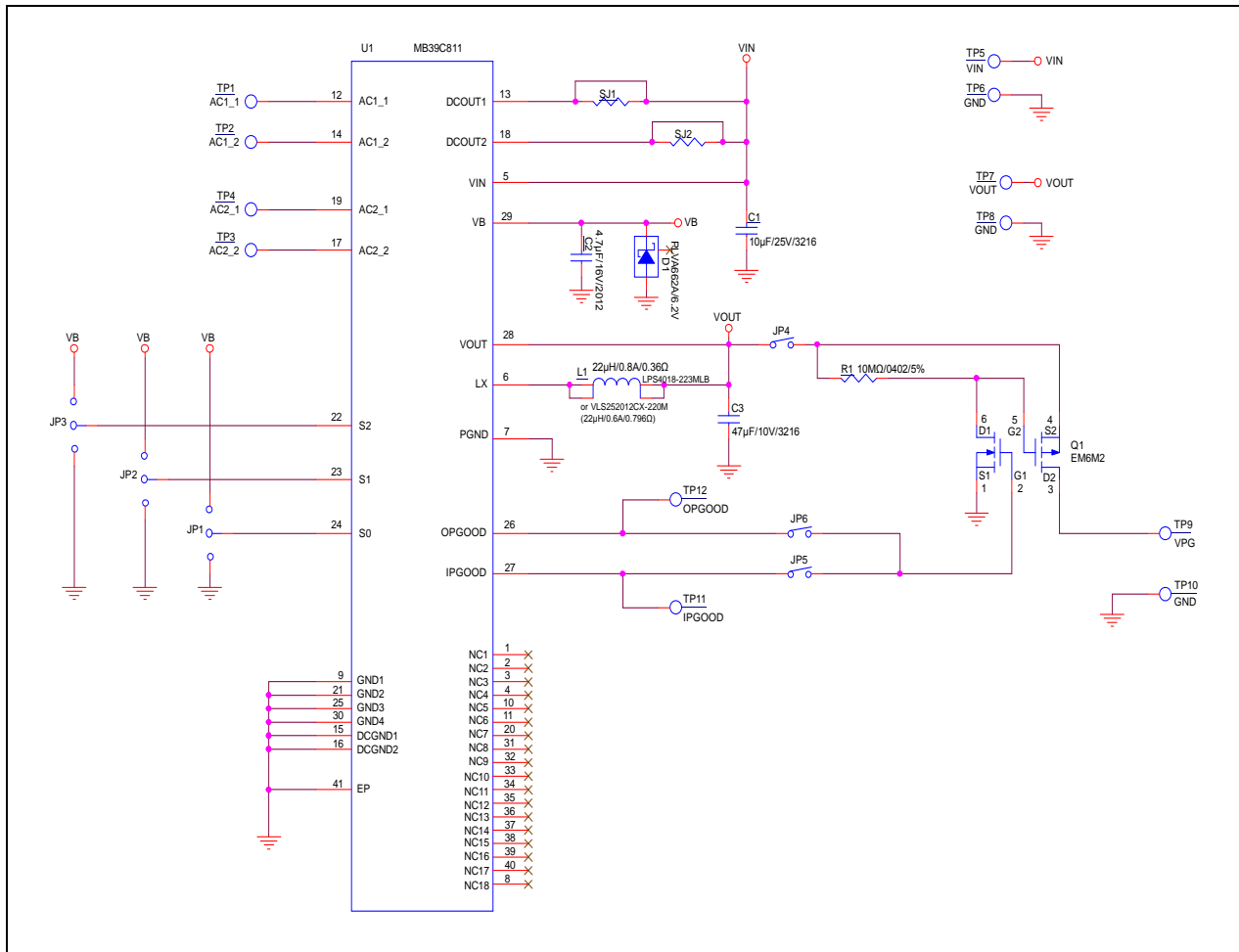
Figure 5. Vibration Energy Harvesting



7. Circuit Schematic



Figure 6. Circuit Schematic



8. Component List



Table 5. Component List

No.	Qty.	Reference	Parts Number	Description	Manufacturer
1	1	C1	C3216X5R1E106MT	10 μ F/25V	TDK
2	1	C2	C2012JB1C475K	4.7 μ F/16V	TDK
3	1	C3	C3216X5R1A476M160AB	47 μ F/10V	TDK
4	1	L1	LPS4018-223MLB VLS252012CX-220M	22 μ H/4018 22 μ H/2520	Coilcraft TDK
5	1	M1	MB39C811	Energy Harvesting PMIC	Cypress
6	1	Q1	EM6M2	Nch+Pch MOSFET	ROHM
7	1	R1	TRR01MZPJ106	10 M Ω 5% 0402 SMD	ROHM
8	1	D1	PLVA662A	Voltage regulator diode	NXP

These components are compliant with RoHS, but please ask each vender for details if necessary.

9. Silk and Layout



Figure 7. Silk and Layout

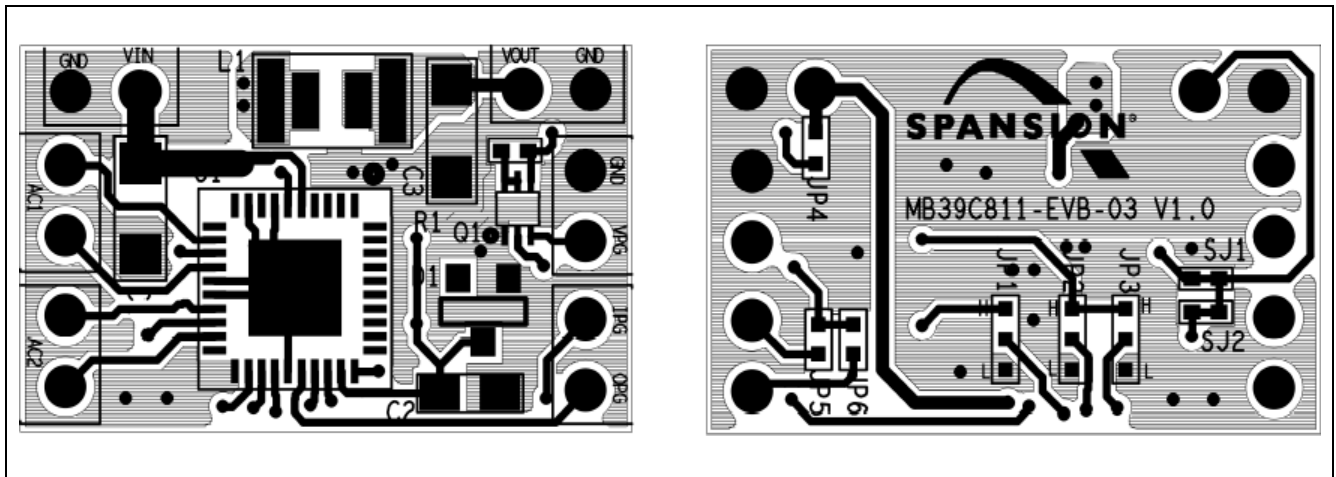


Figure 8. Layout

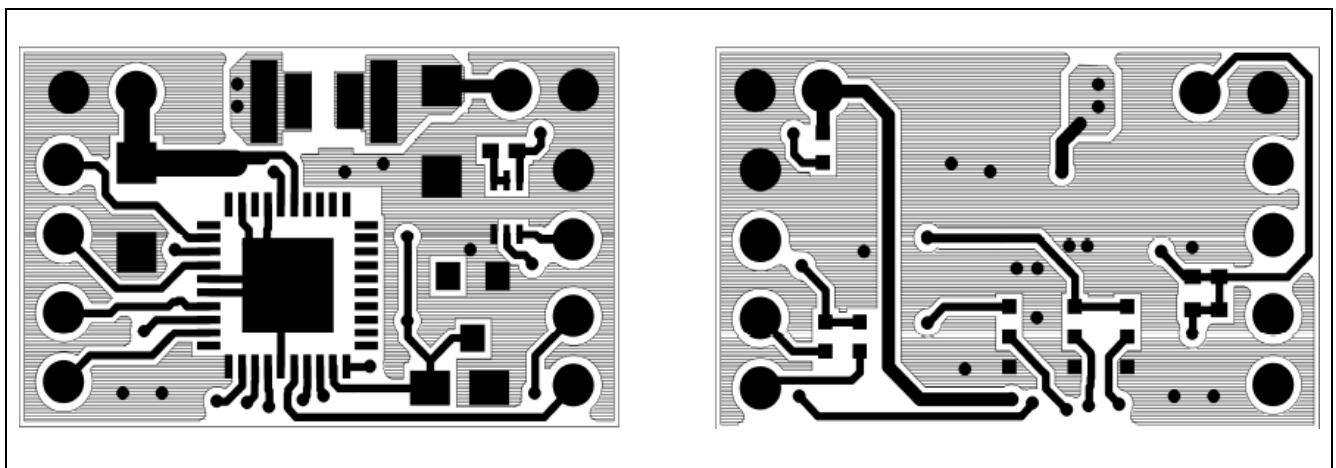
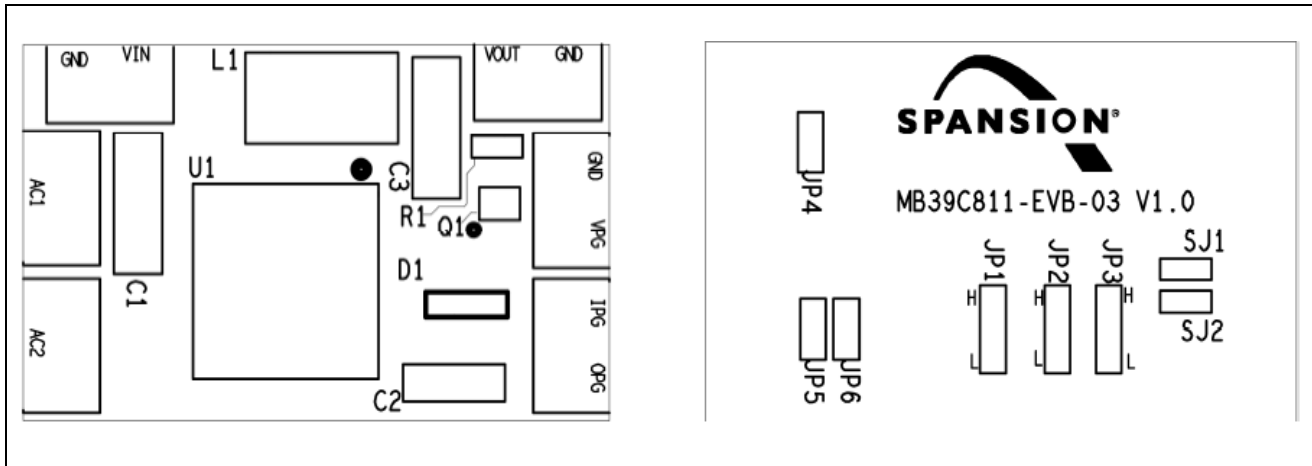


Figure 9. Silk



10. Ordering Information



Table 6. Ordering Information

Part Number	EVB Revision	Note
MB39C811-EVB-03	Rev. 1.0	---

11. Major Changes



Spansion Publication Number: MB39C811-EVB-03_SS901-00034-1v0-E

Page	Section	Change Results
Revision 1.0		
-	-	Initial release

Note: Please see Document Revision History for more Details

12. Revision History



Document Revision History

Document Title: MB39C811-EVB-03, PMIC for Solar/Thermal Energy Harvesting, Evaluation Board Operation Guide			
Document Number:002-08722			
Revision	Issue Date	Origin of Change	Description of Change
**	01/09/2015	EIFU	Initial Release
*A	05/04/2016	EIFU	Migrated Spansion guide "SS901-00034-1v0-E" to Cypress format