

## In This Article



Printer Components

Prepare

Print

Finish

*Back to top*

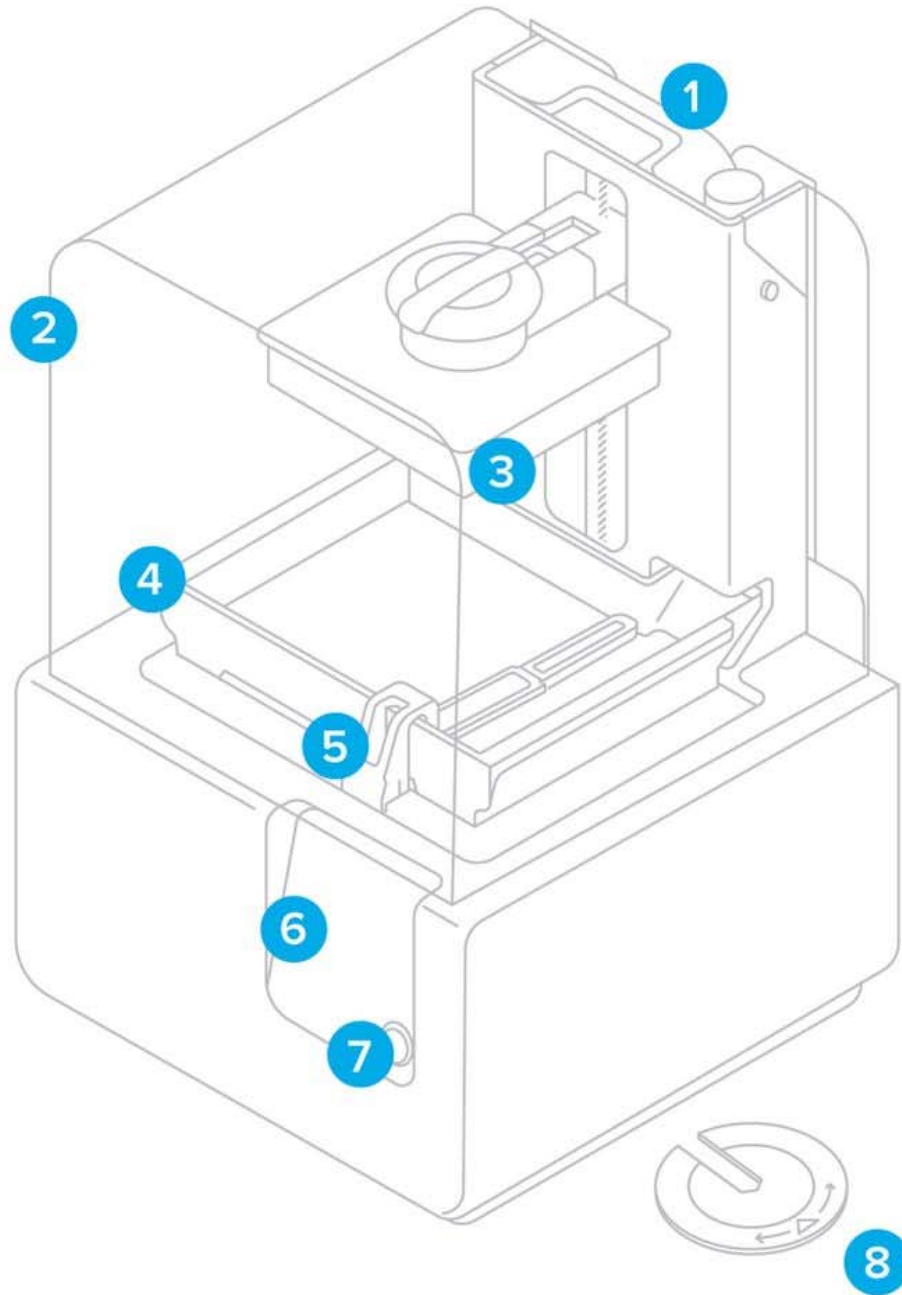
---

# Quick Start Guide

Updated 1 day ago

Now that you've received your Form 2 this guide will tell you how to set it up, run your first print, and finish the print using the finishing kit.

## Printer Components



- 1 Cartridge
- 2 Cover
- 3 Build Platform
- 4 Resin Tank
- 5 Wiper
- 6 Touchscreen
- 7 Button
- 8 Leveling Tool

## Prepare

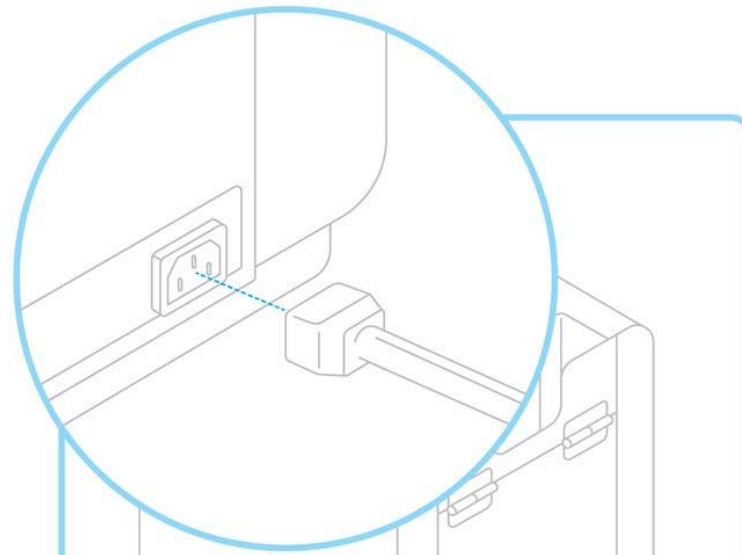
### 1. Connect Cables

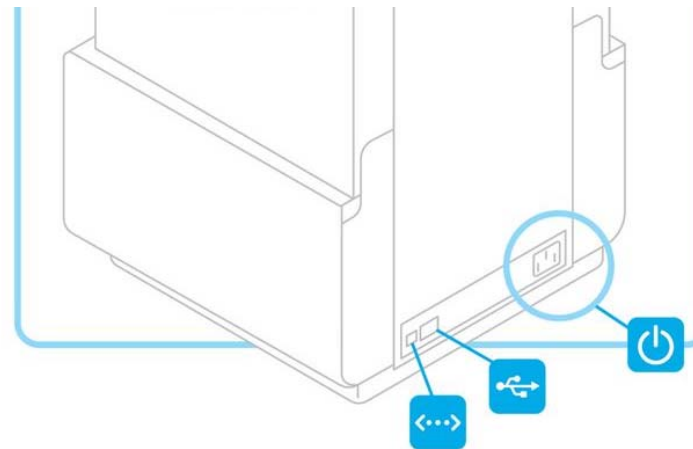
Connect power cable to printer and power supply.

Files can be upload via USB, Wifi, or ethernet. For USB, connect the printer to a nearby computer. For ethernet, connect the printer to an ethernet port.

#### **WARNING:**

Remove all packaging material before connecting power. Lift the cover to remove the protective shipping material from the resin tank carrier.





## 2. Connect to Wi-Fi (Optional)

To connect to Wi-Fi, touch “Wi-Fi” on the settings tab on the touchscreen, then select the name of the network you would like to connect to.

Enter the password for that Wi-Fi network using the onscreen keyboard.

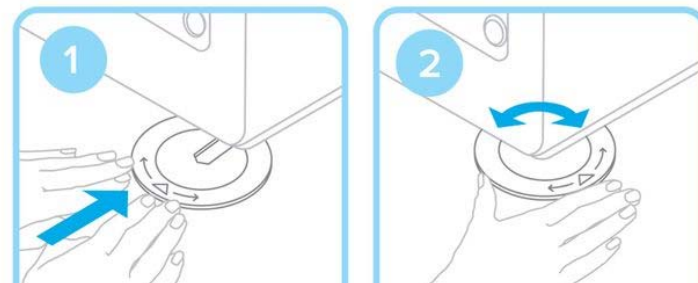




### 3. Level Printer

If prompted, use the leveling tool to raise or lower each foot of your printer. Adjust the feet until the circle is aligned on the screen.

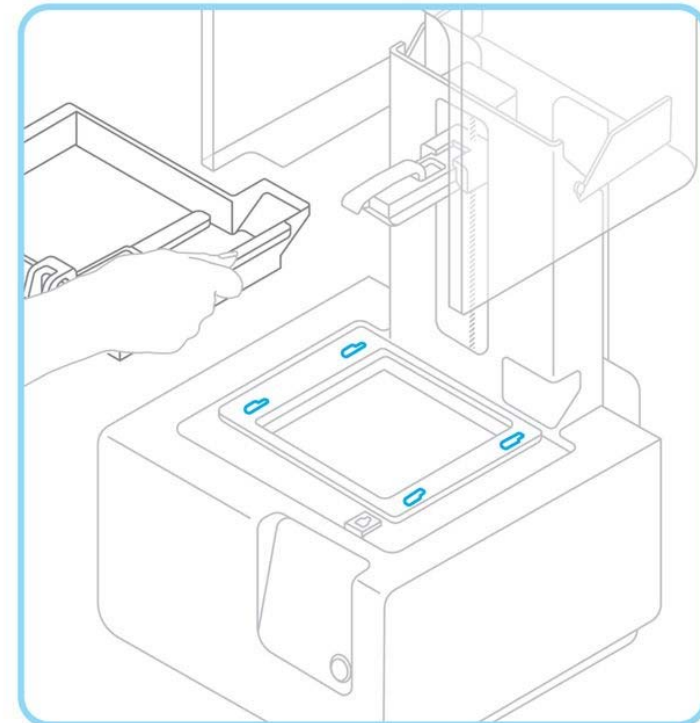
It is important that the printer sits level so resin does not overflow from the tank during printing.

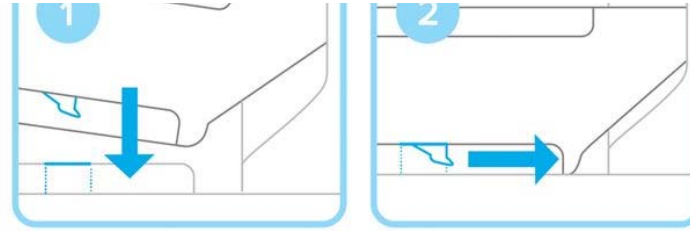




## 4. Insert Resin Tank with Wiper

Remove the tank lid and align the four small feet of the resin tank with the corresponding holes in the tank carrier; push forward into place.

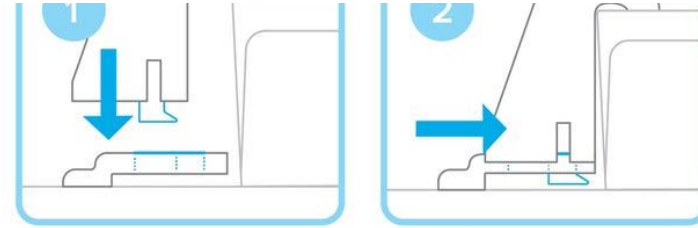




## 5. Lock Wiper

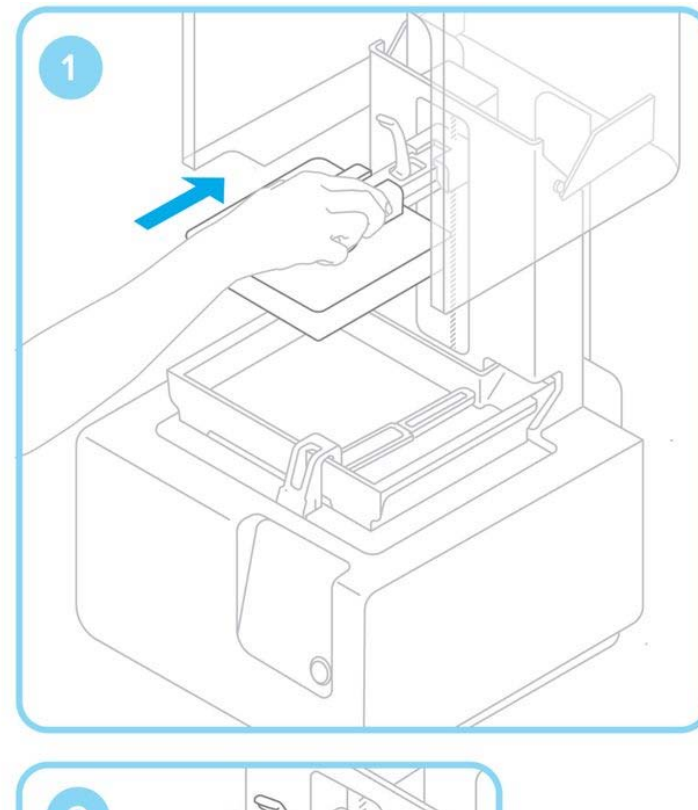
Ensuring the wiper is straight, align the foot of the wiper with the corresponding hole and push forward, snapping it into place.

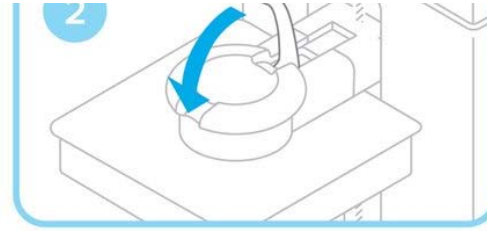




## 6. Insert Build Platform

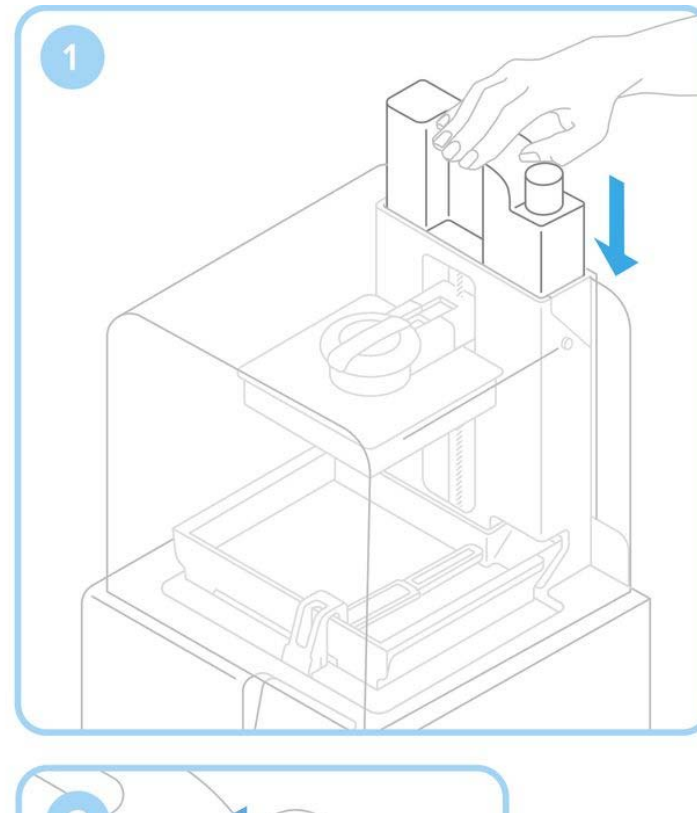
Align the build platform with the platform carrier and push it into place, locking the handle down to secure.

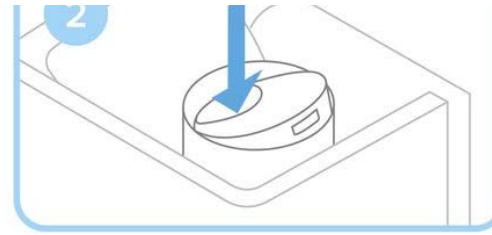




## 7. Insert Resin Cartridge

Align the cartridge with the opening in the back of the printer. Push down until it sits securely. Be sure to remove the orange valve cover from the underside and press open the cap before starting a print, so that your resin tank fills correctly.



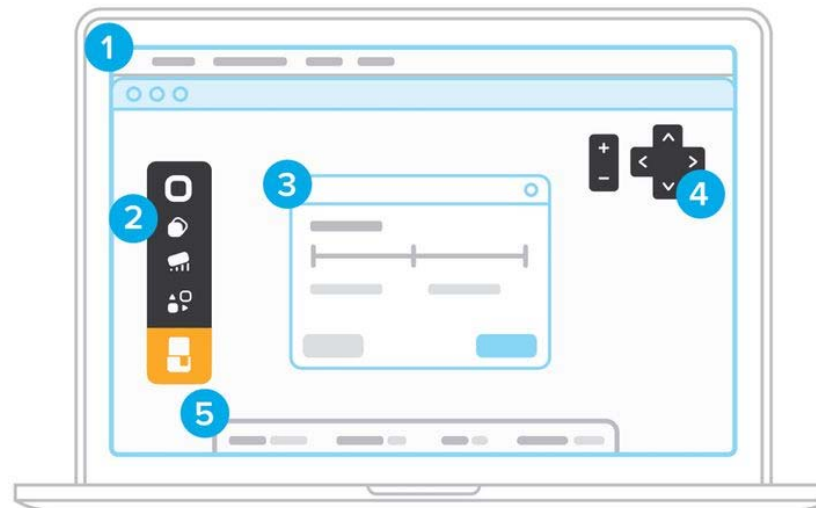


# Print

## 8. Download PreForm

Visit the product page to download the latest version of our software PreForm.

Opening PreForm, you will see the boundaries of the build volume and the build platform, which is inverted from the print orientation. Click through PreForm tools to explore basic functions for setting up your print.



- 1 Menu Bar
- 2 PreForm Tools
- 3 Info Bar
- 4 View Menu
- 5 Info Bar

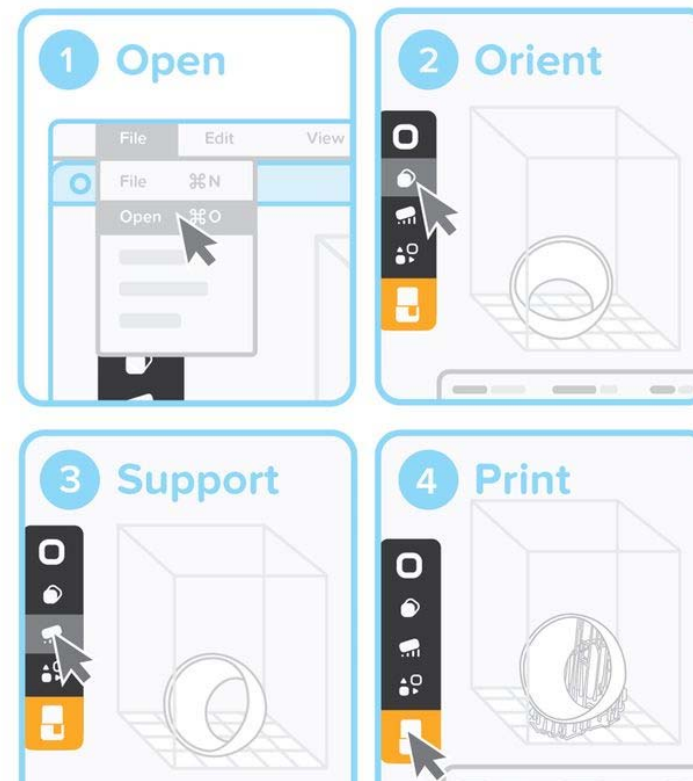


3 Print Set-up

## 9. Prepare File for Print

Open your .STL or .OBJ files. Most parts print better when support at an angle. For automatic set-up, use PreForm tools to “orient all,” “generate all,” and “layout all.” PreForm will do these steps in sequence if you select “One Click Print.”

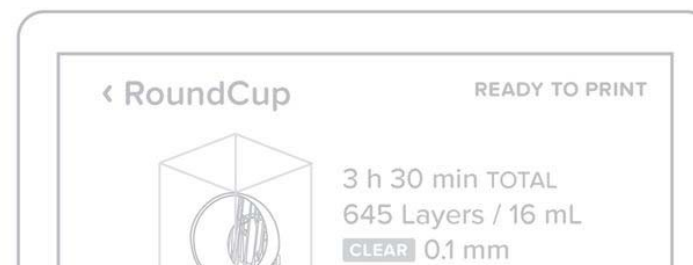
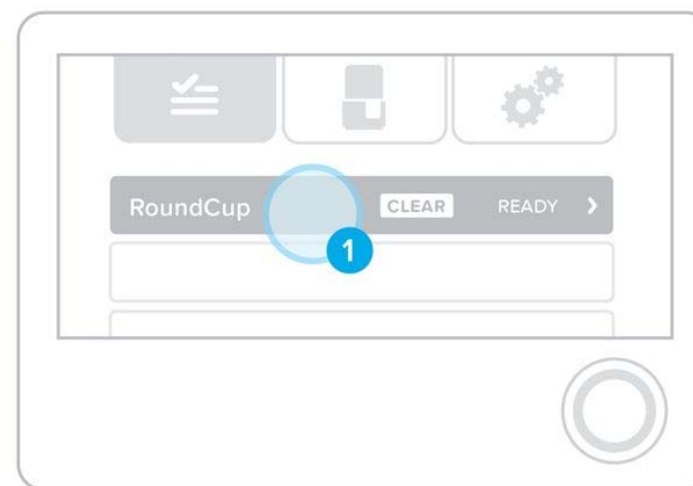
Confirm your print's material and layer height, then click the orange print icon. Select which printer to upload the file to from the printer dialogue.

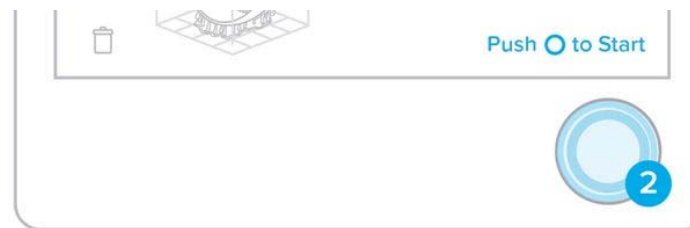




## 10. Confirm Print on Printer

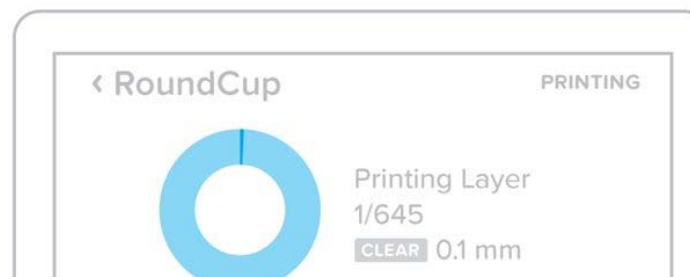
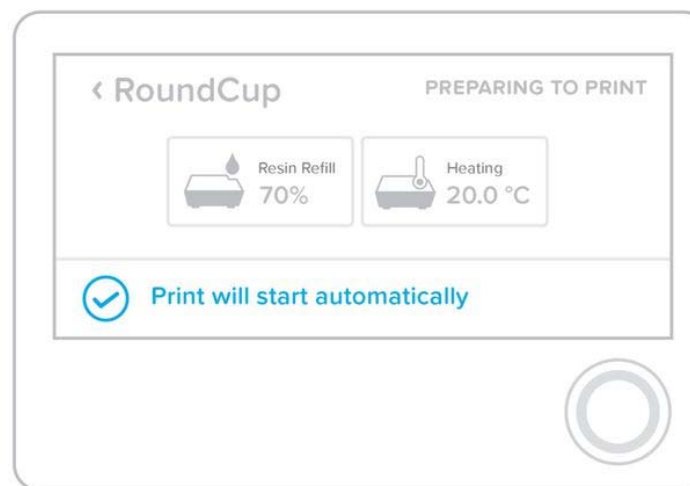
You will see your file uploading to the print queue on your printer's touchscreen. Select the file name and confirm the print by pushing the button on your printer.





## 11. Pre-Print Checks

Before printing, the resin tank will fill and heat up to around 35° C. Once the tank is full, your print will automatically start.

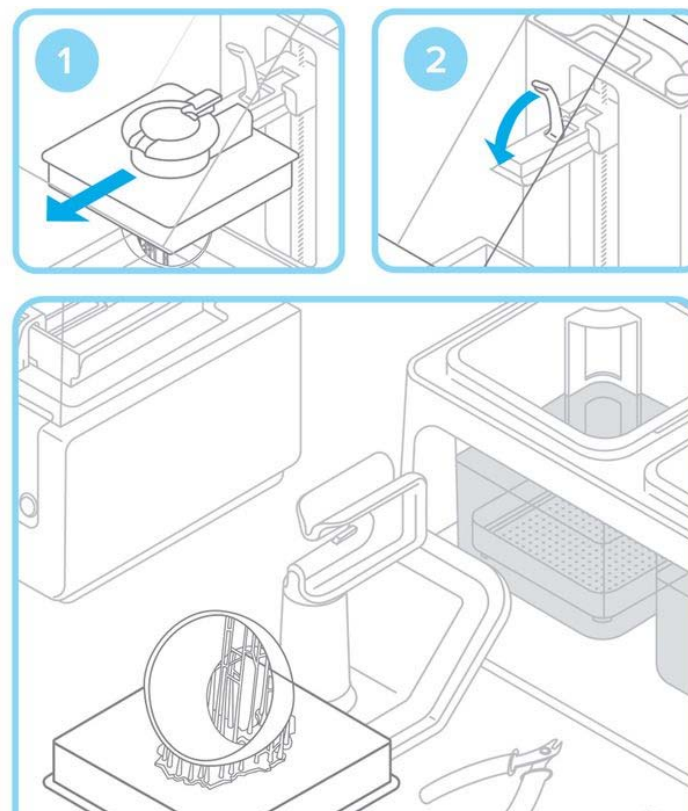




## Finish

### 12. Remove the Build Platform

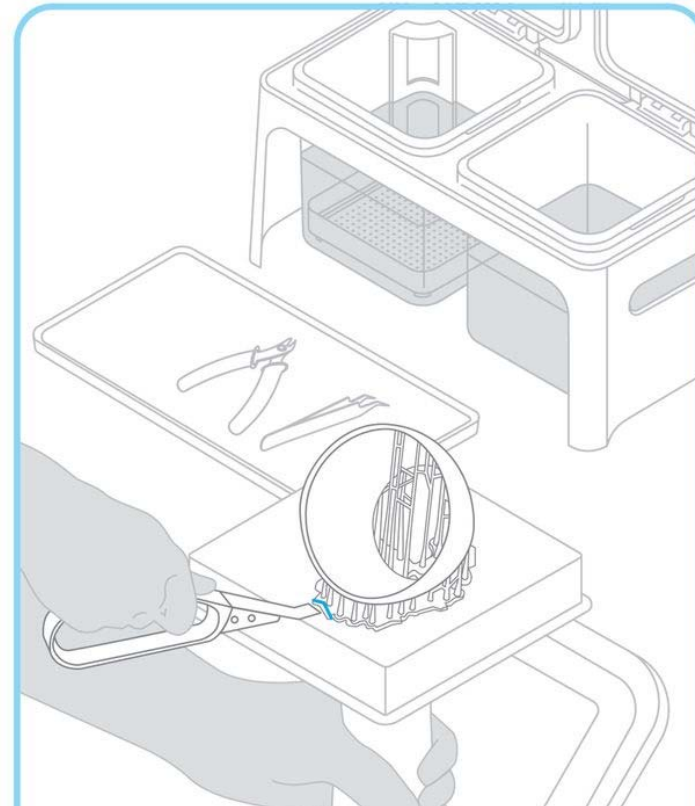
When your print is finished, wear gloves to remove the build platform. Turn the platform over to prevent dripping while transferring to the finish kit. Make sure to close the printer cover.

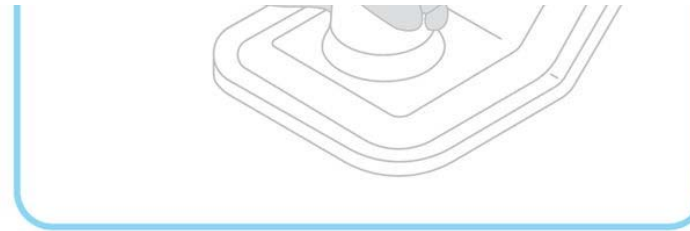




### 13. Remove Your Print

Attach the build platform to the jig and slide the removal tool under the base of your prints to release the part. Use the removal tabs for easy entry points.

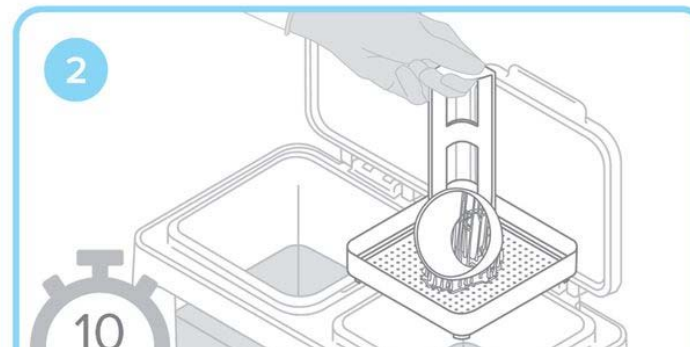
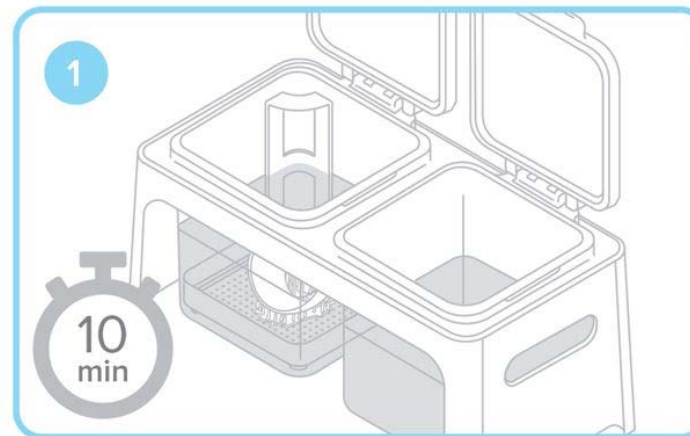




## 14. Wash Your Print

Fill two rinse buckets with isopropyl alcohol (IPA). Keep the lids closed and keep out of the reach of children; IPA is flammable.

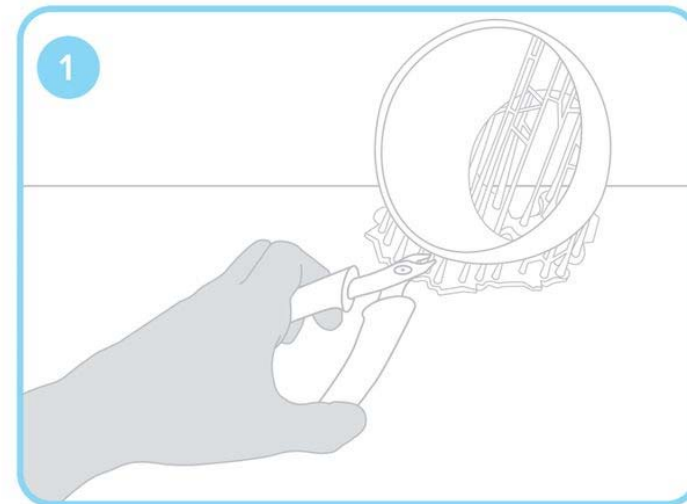
Drop your print in the rinse bucket and leave for 10 minutes. Agitate your part and repeat with the second rinse bucket. This two step process will help your IPA last longer.

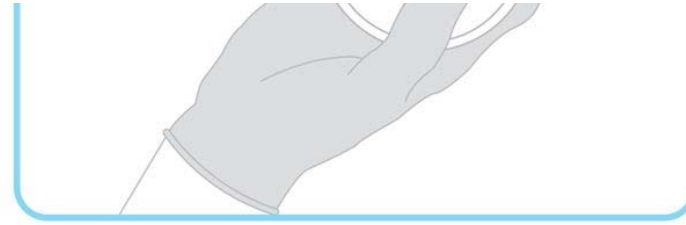




## 15. Finish Your Print

Once dry, use the flush cutters to remove supports from your print. You can sand support marks and polish your parts for a clean finish. You may need to UV post-cure your part if using our Functional Resins.





Have more questions? [Submit a request](#)

---

### Recently viewed articles

[Receiving Your Form 2](#)

### Related articles

[Receiving Your Form 2](#)

[Automatic Resin Handling](#)

[Form 2 Finish Kit Setup](#)

[Performing a Firmware Upgrade](#)

[Safety](#)

---



© Formlabs 2017, Inc. All Rights Reserved.

### Policies

[Return Policy](#)

[Shipping Policy](#)

[Privacy Policy](#)

[Terms of Service](#)

[FAQ](#)

[Warranty](#)